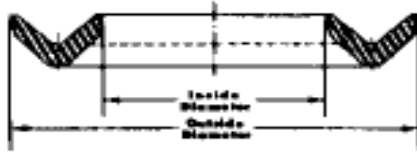


Pressure Seals, Inc.

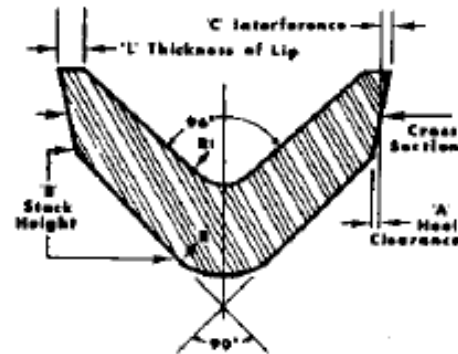
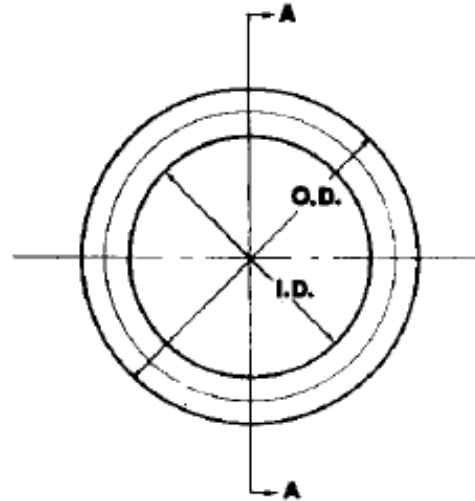
Phone: (877)-PSI-SEAL Toll Free
Thousands of Seals, O-Rings, and U-Cups
World-Class Service since 1976!



View A-A



"V" Rings

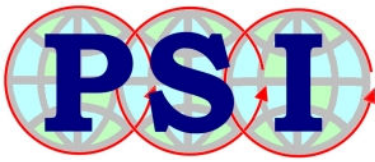


PSI No.	Nominal		C/S Group	
	I.D.	O.D.		
6225-1	1/8	1/2	I	
6225-2	3/16	9/16		
6225-3	1/4	5/8		
6225-4	5/16	11/16	V	
6225-5	3/8	3/4		
6225-6	7/16	13/16	3/16	
6225-7	1/2	7/8		
6225-8	1/4	3/4	II	
6225-9	5/16	13/16		
6225-10	3/8	7/8		
6225-11	7/16	15/16		
6225-12	1/2	1		
6225-13	9/16	1 1/16		
6225-14	5/8	1 1/8		
6225-15	11/16	1 3/8		
6225-16	3/4	1 1/4		
6225-17	13/16	1 5/16		
6225-18	7/8	1 3/8		1/4
6225-19	15/16	1 7/16		
6225-20	1	1 1/2		
6225-21	1 1/16	1 2/16		
6225-22	1 1/8	1 5/8		
6225-23	13/16	1 11/15	III	
6225-24	1 1/4	1 3/4		
6225-25	1 1/4	1 7/8	III	
6225-26	1 3/6	2		
6225-27	1 1/2	2 1/8		
6225-28	1 5/8	2 1/4	V	
6225-29	1 3/4	2 3/8		
6225-30	1 7/8	2 1/2	5/16	
6225-31	2	2 5/6		
6225-32	2 1/8	2 3/4		
6225-33	2 1/4	2 7/8		
6225-34	1 3/8	3		
6225-35	2 1/2	3/18		

Cross Section Group	I	II	III
Dash No.	-1 to -7	-8 to -25	-25 to -35
Nom. Size	3/16	1/4	5/16
C/s	.1905	.2530	.3155
"A" ref.	.006	.006	.007
"B" + .010	.083	0.083	.140
"C" Max.	.013	.011	.023
"C" Min.	.009	.008	.017
"R"	1/16	1/16	1/64
"R1"	1/32	1/32	3/64
"L" Max.	.020	.020	.035
"L" Min	.005	.005	.005

Pressure Seals Inc. 81 Commerce Way, South Windsor, CT 06074



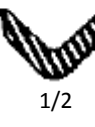
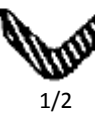
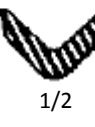
Phone: (877)-PSI-SEAL Toll Free, In CT: (860) 282-9100, Fax: (860) 282-9001



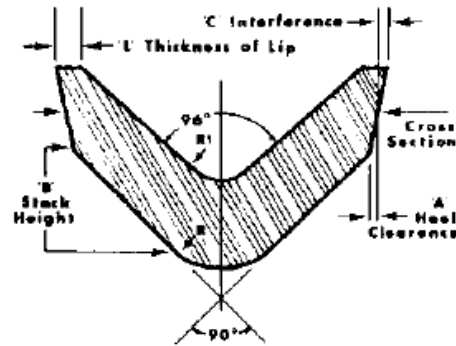
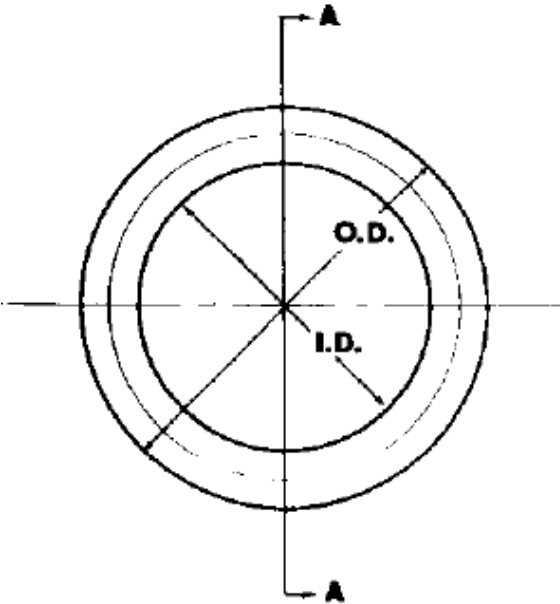
Pressure Seals, Inc.

Phone: (877)-PSI-SEAL Toll Free
Thousands of Seals, O-Rings, and U-Cups
World-Class Service since 1976!



PSI No.	Nominal		C/S Group
	I.D.	O.D.	
6225-36	2 1/2	3 1/4	IV  3/8
6225-37	2 5/8	3 3/8	
6225-38	2 3/4	3 1/2	
6225-39	2 7/8	3 5/8	
6225-40	3	3 3/4	
6225-41	3 1/8	3 7/8	
6225-42	3 1/4	4	
6225-43	3 3/8	4 1/8	
6225-44	3 1/2	4 1/4	
6225-45	3 5/8	4 3/8	
6225-46	3 3/4	4 1/2	V  7/16
6225-47	3 7/8	4 5/8	
6225-48	3 7/8	4 3/4	
6225-49	4	4 7/8	
6225-50	4 1/4	5 1/8	
6225-51	4 1/2	5 3/8	
6225-52	4 3/4	5 5/8	
6225-53	5	5 7/8	
6225-54	5 1/4	6 1/8	
6225-55	5 1/2	6 3/8	
6225-56	5 1/2	6 1/2	VI  1/2
6225-57	5 3/4	6 3/4	
6225-58	6	7	
6225-59	6 1/4	7 1/4	
6225-60	6 1/2	7 1/2	
6225-61	6 3/4	7 3/4	
6225-62	7	8	
6225-63	7 1/4	8 1/4	
6225-64	7 1/2	8 1/2	
6225-65	7 3/4	8 3/4	
6225-66	8	9	VI  1/2
6225-67	8 1/2	9 1/2	
6225-68	9	10	
6225-69	9 1/2	10 1/2	
6225-70	10	11	
6225-71	10 1/2	11 1/2	
6225-72	11	12	
6225-73	11 1/2	12 1/2	
6225-74	12	13	
6225-75	12 1/2	13 1/2	
6225-76	13	14	VI  1/2
6225-77	13 1/2	14 1/2	
6225-78	14	15	
6225-79	14 1/2	15 1/2	
6225-80	15	16	

"V" Rings



Cross Section Group	I	II	III
Dash No.	-1 to -7	-8 to -25	-25 to -35
Nom. Size	3/16	1/4	5/16
C/s	.1905	.2530	.3155
"A" ref.	.006	.006	.007
"B" + .010	.083	0.083	.140
"C" Max.	.013	.011	.023
"C" Min.	.009	.008	.017
"R"	1/16	1/16	1/64
"R1"	1/32	1/32	3/64
"L" Max.	.020	.020	.035
"L" Min.	.005	.005	.005

Pressure Seals Inc. 81 Commerce Way, South Windsor, CT 06074

Phone: (877)-PSI-SEAL Toll Free, In CT: (860) 282-9100, Fax: (860) 282-9001