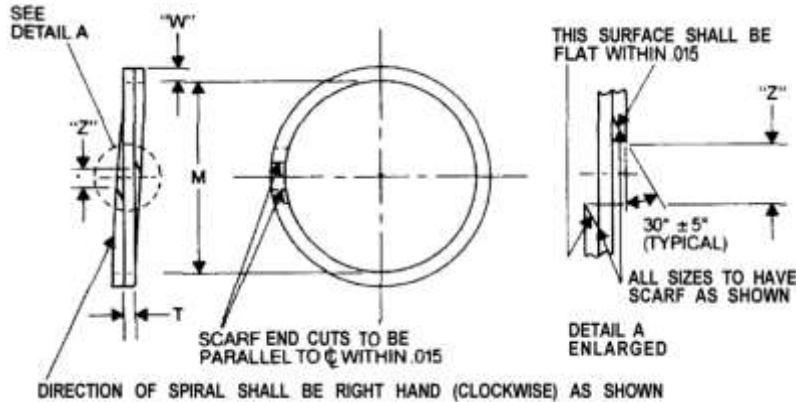




Pressure Seals, Inc.

Phone: (877)-PSI-SEAL Toll Free
Thousands of Seals, O-Rings, and U-Cups
World-Class Service since 1976!



MS 28782

Back-up, Spiral

Notes:

1. Material: MIL-R-8791.
2. Surface must be smooth and free from irregularities.
3. Dimensions are in inches.
4. Z gap dimension to be met with retainer over a mandrel of M diameter +.000 - .002.
5. Dash numbers correspond to the dash numbers of AN6227 packing.
6. Coils to be flat and to remain closed within 0.250 inch total in the free condition.
7. See TF171 for additional sizes.

| Dash No. | M | T | | W | | Z | |
|----------|-------|-------|-------|-------|-------|-------|-------|
| | | Max. | Min. | Max. | Min. | Max. | Min. |
| 1 | 0.125 | | | | | | |
| 2 | 0.156 | | | | | | |
| 3 | 0.188 | | | | | | |
| 4 | 0.219 | | | 0.056 | 0.054 | 0.062 | |
| 5 | 0.250 | | | | | | |
| 6 | 0.312 | | | | | | |
| 7 | 0.375 | | | | | | |
| 8 | 0.375 | | | | | | 0.032 |
| 9 | 0.438 | | | | | | |
| 10 | 0.500 | | | | | | |
| 11 | 0.562 | | | 0.089 | 0.087 | 0.078 | |
| 12 | 0.625 | | | | | | |
| 13 | 0.688 | | | | | | |
| 14 | 0.750 | | | | | | |
| 15 | 0.750 | 0.029 | 0.025 | | | | |
| 16 | 0.812 | | | | | | |
| 17 | 0.875 | | | | | | |
| 18 | 0.938 | | | | | | |
| 19 | 1.000 | | | | | | |
| 20 | 1.062 | | | | | | |
| 21 | 1.125 | | | 0.122 | 0.120 | 0.093 | 0.047 |
| 22 | 1.188 | | | | | | |
| 23 | 1.250 | | | | | | |
| 24 | 1.312 | | | | | | |
| 25 | 1.375 | | | | | | |
| 26 | 1.438 | | | | | | |
| 27 | 1.500 | | | | | | |
| 28 | 1.500 | | | | | | |
| 29 | 1.625 | | | | | | |
| 30 | 1.750 | | | | | | |
| 31 | 1.875 | | | | | | |
| 32 | 2.000 | | | | | | |
| 33 | 2.125 | | | | | 0.188 | 0.062 |
| 34 | 2.250 | | | | | | |
| 35 | 2.375 | 0.036 | 0.031 | 0.186 | 0.184 | | |
| 36 | 2.500 | | | | | | |
| 37 | 2.625 | | | | | | |
| 38 | 2.750 | | | | | | |
| 39 | 2.875 | | | | | | |
| 40 | 3.000 | | | | | | |
| 41 | 3.125 | | | | | | |
| 42 | 3.250 | | | | | 0.250 | 0.093 |
| 43 | 3.375 | | | | | | |
| 44 | 3.500 | | | | | | |

| Dash No. | M | T | | W | | Z | |
|----------|--------|-------|-------|-------|-------|-------|-------|
| | | Max. | Min. | Max. | Min. | Max. | Min. |
| 45 | 3.625 | | | | | | |
| 46 | 3.750 | | | | | | |
| 47 | 3.875 | | | | | | |
| 48 | 4.000 | | | | | | |
| 49 | 4.125 | 0.036 | 0.031 | 0.186 | 0.184 | 0.250 | 0.093 |
| 50 | 4.250 | | | | | | |
| 51 | 4.375 | | | | | | |
| 52 | 4.500 | | | | | | |
| 53 | 4.625 | | | | | | |
| 54 | 4.750 | | | | | | |
| 55 | 4.875 | | | | | | |
| 56 | 5.000 | | | | | | |
| 57 | 5.125 | | | | | | |
| 58 | 5.250 | | | | | | |
| 59 | 5.375 | | | | | | |
| 60 | 5.500 | | | | | | |
| 61 | 5.625 | | | | | | |
| 62 | 5.750 | | | | | | |
| 63 | 5.875 | | | | | | |
| 64 | 6.000 | | | | | | |
| 65 | 6.250 | | | | | | |
| 66 | 6.500 | | | | | | |
| 67 | 6.750 | | | | | | |
| 68 | 7.000 | | | | | | |
| 69 | 7.250 | 0.052 | 0.046 | 0.239 | 0.237 | 0.312 | 0.188 |
| 70 | 7.500 | | | | | | |
| 71 | 7.750 | | | | | | |
| 72 | 8.000 | | | | | | |
| 73 | 8.500 | | | | | | |
| 74 | 9.000 | | | | | | |
| 75 | 9.500 | | | | | | |
| 76 | 10.000 | | | | | | |
| 77 | 10.500 | | | | | | |
| 78 | 11.000 | | | | | | |
| 79 | 11.500 | | | | | | |
| 80 | 12.000 | | | | | | |
| 81 | 12.500 | | | | | | |
| 82 | 13.000 | | | | | | |
| 83 | 13.500 | | | | | | |
| 84 | 14.000 | | | | | | |
| 85 | 14.500 | | | | | | |
| 86 | 15.000 | | | | | | |
| 87 | 15.500 | | | | | | |
| 88 | 16.000 | | | | | | |

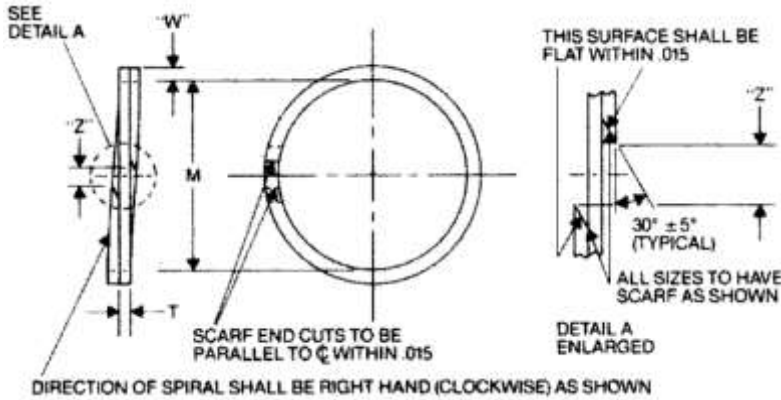
Pressure Seals Inc. 81 Commerce Way, South Windsor, CT 06074

Phone: (877)-PSI-SEAL Toll Free, In CT: (860) 282-9100, Fax: (860) 282-9001



Pressure Seals, Inc.

Phone: (877)-PSI-SEAL Toll Free
Thousands of Seals, O-Rings, and U-Cups
World-Class Service since 1976!



MS 28783

Back-up, Spiral

Notes:

1. Material: MIL-F-8791.
2. Surface must be smooth and free from irregularities.
3. Dimensions are in inches.
4. Z gap dimension to be met with retainer over a mandrel of M diameter +.000 - .002.
5. Dash numbers correspond to the dash numbers of AN6230 packing.
6. Coils to be flat and to remain closed within 0.250 inch total in the free condition.
7. See TF171 for additional sizes.

| Dash No. | M | T | | W | | Z | |
|----------|-------|-------|-------|-------|-------|-------|-------|
| | | Max. | Min. | Max. | Min. | Max. | Min. |
| 1 | 1.625 | | | | | | |
| 2 | 1.750 | | | | | | |
| 3 | 1.875 | | | | | | |
| 4 | 2.000 | | | | | | |
| 5 | 2.125 | | | | | | |
| 6 | 2.250 | | | | | | |
| 7 | 2.375 | 0.029 | 0.025 | 0.121 | 0.119 | 0.250 | 0.093 |
| 8 | 2.500 | | | | | | |
| 9 | 2.625 | | | | | | |
| 10 | 2.750 | | | | | | |
| 11 | 2.875 | | | | | | |
| 12 | 3.000 | | | | | | |
| 13 | 3.125 | | | | | | |

| Dash No. | M | T | | W | | Z | |
|----------|-------|-------|-------|-------|-------|-------|-------|
| | | Max. | Min. | Max. | Min. | Max. | Min. |
| 14 | 3.250 | | | | | | |
| 15 | 3.375 | | | | | | |
| 16 | 3.500 | | | | | | |
| 17 | 3.625 | | | | | | |
| 18 | 3.750 | | | | | | |
| 19 | 3.875 | 0.029 | 0.025 | 0.121 | 0.119 | 0.250 | 0.093 |
| 20 | 4.000 | | | | | | |
| 21 | 4.125 | | | | | | |
| 22 | 4.250 | | | | | | |
| 23 | 4.375 | | | | | | |
| 24 | 4.500 | | | | | | |
| 25 | 4.625 | | | | | | |

Pressure Seals Inc. 81 Commerce Way, South Windsor, CT 06074

Phone: (877)-PSI-SEAL Toll Free, In CT: (860) 282-9100, Fax: (860) 282-9001



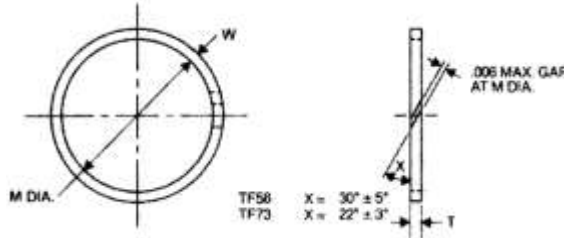
Pressure Seals, Inc.

Phone: (877)-PSI-SEAL Toll Free
Thousands of Seals, O-Rings, and U-Cups
World-Class Service since 1976!



MS 9058

Boss Connection
Single Turn



MS 28773

Straight Thread
Tube Fitting Boss
Single Turn

| TF58 MS9058 Dash No. | Nom. Tube O.D. | M | W ±.002 | T ±.004 |
|-------------------------------|----------------------|-------|------------|------------|
| 02 | 0.125 | 0.246 | 0.112 | 0.056 |
| 03 | 0.188 | 0.309 | 0.112 | 0.056 |
| 04 | 0.250 | 0.360 | 0.117 | 0.061 |
| 05 | 0.312 | 0.423 | 0.117 | 0.061 |
| 06 | 0.375 | 0.478 | 0.121 | 0.061 |
| 07 | 0.438 | 0.549 | 0.121 | 0.061 |
| 08 | 0.500 | 0.656 | 0.125 | 0.061 |
| 09 | 0.562 | 0.718 | 0.125 | 0.061 |
| 10 | 0.625 | 0.769 | 0.131 | 0.073 |
| 11 | 0.688 | 0.878 | 0.159 | 0.073 |
| 12 | 0.750 | 0.941 | 0.169 | 0.073 |
| 14 | 0.875 | 1.066 | 0.169 | 0.073 |
| 16 | 1.000 | 1.191 | 0.169 | 0.073 |
| 18 | 1.125 | 1.378 | 0.169 | 0.073 |
| 20 | 1.250 | 1.503 | 0.169 | 0.073 |
| 24 | 1.500 | 1.752 | 0.169 | 0.073 |
| 28 | 1.750 | 2.127 | 0.169 | 0.073 |
| 32 | 2.000 | 2.377 | 0.169 | 0.073 |

| TF73 MS28773 Dash No. | Nom. Tube O.D. | M | W ±.001 | T ±.001 |
|--------------------------------|----------------------|-------|------------|------------|
| 02 | 1/8 | 0.246 | 0.112 | 0.056 |
| 03 | 3/16 | 0.309 | 0.112 | 0.056 |
| 04 | 1/4 | 0.360 | 0.117 | 0.061 |
| 05 | 5/16 | 0.423 | 0.117 | 0.061 |
| 06 | 3/8 | 0.478 | 0.121 | 0.061 |
| 08 | 1/2 | 0.656 | 0.125 | 0.061 |
| 10 | 5/8 | 0.769 | 0.131 | 0.073 |
| 12 | 3/4 | 0.941 | 0.169 | 0.073 |
| 16 | 1 | 1.191 | 0.169 | 0.073 |
| 20 | 1 1/4 | 1.503 | 0.169 | 0.073 |
| 24 | 1 1/2 | 1.752 | 0.169 | 0.073 |
| 28 | 1 3/4 | 2.127 | 0.169 | 0.073 |
| 32 | 2 | 2.377 | 0.169 | 0.073 |

Notes:

1. Material: Polytetrafluoroethylene AMS 3656 / AMS 3660.
2. Edges to be cut clean and square within 5°.
3. Dimensions are in inches.
4. Dash numbers correspond to the dash numbers of standard AN6290 O-Rings.

Notes:

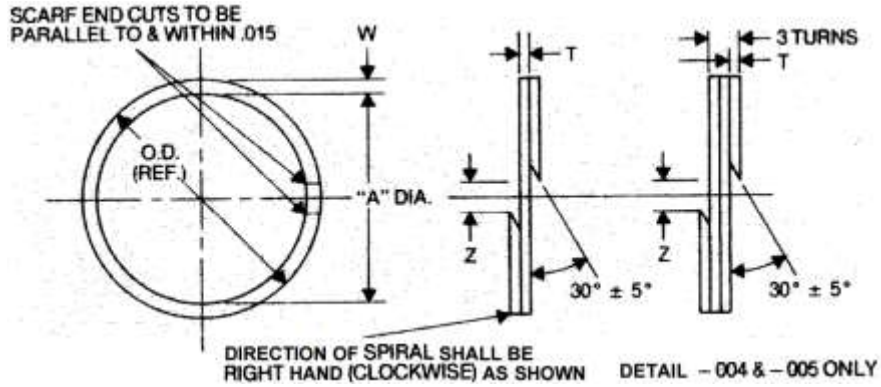
1. Material: MIL-R-8791.
2. Surface must be smooth and free from irregularities. Edges to be cut clean and sharp.
3. Dimensions are in inches.
4. Dash numbers correspond to the equivalent dash numbers of the MS28778 preformed packings and the AN6289 nut.
5. Ends to be parallel within ±5°.



Pressure Seals, Inc.
 Phone: (877)-PSI-SEAL Toll Free
 Thousands of Seals, O-Rings, and U-Cups
 World-Class Service since 1976!



TF171 Back-up, Spiral



| AS568 Dash No. | AN6227B AN6230B Dash No. | Nominal | | | T | W | Z |
|----------------|--------------------------|---------|--------|--------|-------|-------|-------|
| No. | Dash No. | I.D. | O.D. | A Dia. | | | |
| 004 | | 5/64 | 3/16 | 0.078 | 0.019 | 0.054 | |
| 005 | | 7/64 | 7/32 | 0.110 | 0.016 | 0.052 | |
| 006 | AN6227B-1 | 1/8 | 1/4 | 0.125 | | | |
| 007 | AN6227B-2 | 5/32 | 9/32 | 0.156 | | | |
| 008 | AN6227B-3 | 3/16 | 5/16 | 0.188 | | | 0.062 |
| 009 | AN6227B-4 | 7/32 | 11/32 | 0.219 | | | 0.032 |
| 010 | AN6227B-5 | 1/4 | 3/8 | 0.250 | | | |
| 011 | AN6227B-6 | 5/16 | 7/16 | 0.312 | | | |
| 012 | AN6227B-7 | 3/8 | 1/2 | 0.375 | | | |
| 013 | | 7/16 | 9/16 | 0.437 | | | |
| 014 | | 1/2 | 5/8 | 0.500 | | | |
| 015 | | 9/16 | 11/16 | 0.562 | | | 0.078 |
| 016 | | 5/8 | 3/4 | 0.625 | | 0.056 | 0.032 |
| 017 | | 11/16 | 13/16 | 0.687 | | 0.054 | |
| 018 | | 3/4 | 7/8 | 0.750 | | | |
| 019 | | 13/16 | 15/16 | 0.812 | | | |
| 020 | | 7/8 | 1 | 0.875 | | | |
| 021 | | 15/16 | 1 1/16 | 0.937 | | | |
| 022 | | 1 | 1 1/8 | 1.000 | 0.029 | | 0.093 |
| 023 | | 1 1/16 | 1 3/16 | 1.062 | 0.025 | | 0.047 |
| 024 | | 1 1/8 | 1 1/4 | 1.125 | | | |
| 025 | | 1 3/16 | 1 5/16 | 1.187 | | | |
| 026 | | 1 1/4 | 1 3/8 | 1.250 | | | |
| 027 | | 1 5/16 | 1 7/16 | 1.312 | | | |
| 028 | | 1 3/8 | 1 1/2 | 1.375 | | | |
| 110 | AN6227B-8 | 3/8 | 9/16 | 0.375 | | | |
| 111 | AN6227B-9 | 7/16 | 5/8 | 0.438 | | | |
| 112 | AN6227B-10 | 1/2 | 11/16 | 0.500 | | | 0.078 |
| 113 | AN6227B-11 | 9/16 | 3/4 | 0.562 | | | 0.032 |
| 114 | AN6227B-12 | 5/8 | 13/16 | 0.625 | | | |
| 115 | AN6227B-13 | 11/16 | 7/8 | 0.687 | | | |
| 116 | AN6227B-14 | 3/4 | 15/16 | 0.750 | | 0.089 | |
| 117 | | 13/16 | 1 | 0.812 | | 0.087 | |
| 118 | | 7/8 | 1 1/16 | 0.875 | | | |
| 119 | | 15/16 | 1 1/8 | 0.937 | | | 0.093 |
| 120 | | 1 | 1 3/16 | 1.000 | | | 0.047 |
| 121 | | 1 1/16 | 1 1/4 | 1.062 | | | |
| 122 | | 1 1/8 | 1 5/16 | 1.125 | | | |
| 123 | | 1 3/16 | 1 3/8 | 1.187 | | | |

Pressure Seals Inc. 81 Commerce Way, South Windsor, CT 06074

Phone: (877)-PSI-SEAL Toll Free, In CT: (860) 282-9100, Fax: (860) 282-9001



Pressure Seals, Inc.

Phone: (877)-PSI-SEAL Toll Free
Thousands of Seals, O-Rings, and U-Cups
World-Class Service since 1976!



TF171 Continued

| AS568 Dash No. | AN6227B AN6230B Dash No. | Nominal | | | T | W | Z |
|----------------------|--------------------------------|---------|---------|--------|-------|-------|-------|
| | | I.D. | O.D. | A Dia. | | | |
| 124 | | 1 1/4 | 1 7/16 | 1.250 | | | |
| 125 | | 1 5/16 | 1 1/2 | 1.312 | | | 0.093 |
| 126 | | 1 3/8 | 1 9/16 | 1.375 | | | 0.047 |
| 127 | | 1 7/16 | 1 5/8 | 1.437 | | | |
| 128 | | 1 1/2 | 1 11/16 | 1.500 | | | |
| 129 | | 1 9/16 | 1 3/4 | 1.562 | | | |
| 130 | | 1 5/8 | 1 13/16 | 1.625 | | | |
| 131 | | 1 11/16 | 1 7/8 | 1.687 | | | |
| 132 | | 1 3/4 | 1 15/16 | 1.750 | | | |
| 133 | | 1 13/16 | 2 | 1.812 | | | |
| 134 | | 1 7/8 | 2 1/16 | 1.875 | | | |
| 135 | | 1 15/16 | 2 1/8 | 1.937 | | | |
| 136 | | 2 | 2 3/16 | 2.000 | | 0.089 | |
| 137 | | 2 1/16 | 2 1/4 | 2.062 | | 0.087 | |
| 138 | | 2 1/8 | 2 5/16 | 2.125 | | | 0.182 |
| 139 | | 2 3/16 | 2 3/8 | 2.187 | | | 0.062 |
| 140 | | 2 1/4 | 2 7/16 | 2.250 | | | |
| 141 | | 2 5/16 | 2 1/2 | 2.312 | | | |
| 142 | | 2 3/8 | 2 9/16 | 2.375 | | | |
| 143 | | 2 7/16 | 2 5/8 | 2.437 | | | |
| 144 | | 2 1/2 | 2 11/16 | 2.500 | | | |
| 145 | | 2 9/16 | 2 3/4 | 2.562 | | | |
| 146 | | 2 5/8 | 2 13/16 | 2.625 | | | |
| 147 | | 2 11/16 | 2 7/8 | 2.687 | 0.029 | | |
| 148 | | 2 3/4 | 2 15/16 | 2.750 | 0.025 | | |
| 149 | | 2 13/16 | 3 | 2.812 | | | |
| 210 | AN6227B-15 | 3/4 | 1 | 0.750 | | | |
| 211 | AN6227B-16 | 13/16 | 1 1/16 | 0.812 | | | |
| 212 | AN6227B-17 | 7/8 | 1 1/8 | 0.875 | | | |
| 213 | AN6227B-18 | 15/16 | 1 3/16 | 0.938 | | | |
| 214 | AN6227B-19 | 1 | 1 1/4 | 1.000 | | | |
| 215 | AN6227B-20 | 1 1/16 | 1 5/16 | 1.062 | | 0.122 | 0.093 |
| 216 | AN6227B-21 | 1 1/8 | 1 3/8 | 1.125 | | 0.120 | 0.047 |
| 217 | AN6227B-22 | 1 3/16 | 1 7/16 | 1.188 | | | |
| 218 | AN6227B-23 | 1 1/4 | 1 1/2 | 1.250 | | | |
| 219 | AN6227B-24 | 1 5/16 | 1 9/16 | 1.312 | | | |
| 220 | AN6227B-25 | 1 3/8 | 1 5/8 | 1.375 | | | |
| 221 | AN6227B-26 | 1 7/16 | 1 11/16 | 1.438 | | | |
| 222 | AN6227B-27 | 1 1/2 | 1 3/4 | 1.500 | | | |
| 223 | AN6230B-1 | 1 5/8 | 1 7/8 | 1.625 | | | |
| 224 | AN6230B-2 | 1 3/4 | 2 | 1.750 | | | |
| 225 | AN6230B-3 | 1 7/8 | 2 1/8 | 1.875 | | | |
| 226 | AN6230B-4 | 2 | 2 1/4 | 2.000 | | | |
| 227 | AN6230B-5 | 2 1/8 | 2 3/8 | 2.125 | | | |
| 228 | AN6230B-6 | 2 1/4 | 2 1/2 | 2.250 | | 0.121 | 0.250 |
| 229 | AN6230B-7 | 2 3/8 | 2 5/8 | 2.375 | | 0.119 | 0.093 |
| 230 | AN6230B-8 | 2 1/2 | 2 3/4 | 2.500 | | | |
| 231 | AN6230B-9 | 2 5/8 | 2 7/8 | 2.625 | | | |
| 232 | AN6230B-10 | 2 3/4 | 3 | 2.750 | | | |
| 233 | AN6230B-11 | 2 7/8 | 3 1/8 | 2.875 | | | |
| 234 | AN6230B-12 | 3 | 3 1/4 | 3.000 | | | |

Pressure Seals Inc. 81 Commerce Way, South Windsor, CT 06074

Phone: (877)-PSI-SEAL Toll Free, In CT: (860) 282-9100, Fax: (860) 282-9001



Pressure Seals, Inc.
 Phone: (877)-PSI-SEAL Toll Free
 Thousands of Seals, O-Rings, and U-Cups
 World-Class Service since 1976!



TF171 Continued

| AS568 Dash No. | AN6227B AN6230B Dash No. | Nominal | | | T | W | Z |
|----------------------|--------------------------------|---------|--------|--------|----------------|----------------|----------------|
| | | I.D. | O.D. | A Dia. | | | |
| 235 | AN6230B-13 | 3 1/8 | 3 3/8 | 3.125 | | | |
| 236 | AN6230B-14 | 3 1/4 | 3 1/2 | 3.250 | | | |
| 237 | AN6230B-15 | 3 3/8 | 3 5/8 | 3.375 | | | |
| 238 | AN6230B-16 | 3 1/2 | 3 3/4 | 3.500 | | | |
| 239 | AN6230B-17 | 3 5/8 | 3 7/8 | 3.625 | | | |
| 240 | AN6230B-18 | 3 3/4 | 4 | 3.750 | | | |
| 241 | AN6230B-19 | 3 7/8 | 4 1/8 | 3.875 | | | |
| 242 | AN6230B-20 | 4 | 4 1/4 | 4.000 | | | |
| 243 | AN6230B-21 | 4 1/8 | 4 3/8 | 4.125 | | | |
| 244 | AN6230B-22 | 4 1/4 | 4 1/2 | 4.250 | | | |
| 245 | AN6230B-23 | 4 3/8 | 4 5/8 | 4.375 | | | |
| 246 | AN6230B-24 | 4 1/2 | 4 3/4 | 4.500 | | | |
| 247 | AN6230B-25 | 4 5/8 | 4 7/8 | 4.625 | | | |
| 248 | AN6230B-26 | 4 3/4 | 5 | 4.750 | | | |
| 249 | AN6230B-27 | 4 7/8 | 5 1/8 | 4.875 | | | |
| 250 | AN6230B-28 | 5 | 5 1/4 | 5.000 | | | |
| 251 | AN6230B-29 | 5 1/8 | 5 3/8 | 5.125 | | | |
| 252 | AN6230B-30 | 5 1/4 | 5 1/2 | 5.250 | | | |
| 253 | AN6230B-31 | 5 3/8 | 5 5/8 | 5.375 | | | |
| 254 | AN6230B-32 | 5 1/2 | 5 3/4 | 5.500 | 0.029 0.025 | 0.121 0.119 | 0.250 0.093 |
| 255 | AN6230B-33 | 5 5/8 | 5 7/8 | 5.625 | | | |
| 256 | AN6230B-34 | 5 3/4 | 6 | 5.750 | | | |
| 257 | AN6230B-35 | 5 7/8 | 6 1/8 | 5.875 | | | |
| 258 | AN6230B-36 | 6 | 6 1/4 | 6.000 | | | |
| 259 | AN6230B-37 | 6 1/4 | 6 1/2 | 6.250 | | | |
| 260 | AN6230B-38 | 6 1/2 | 6 3/4 | 6.500 | | | |
| 261 | AN6230B-39 | 6 3/4 | 7 | 6.750 | | | |
| 262 | AN6230B-40 | 7 | 7 1/4 | 7.000 | | | |
| 263 | AN6230B-41 | 7 1/4 | 7 1/2 | 7.250 | | | |
| 264 | AN6230B-42 | 7 1/2 | 7 3/4 | 7.500 | | | |
| 265 | AN6230B-43 | 7 3/4 | 8 | 7.750 | | | |
| 266 | AN6230B-44 | 8 | 8 1/4 | 8.000 | | | |
| 267 | AN6230B-45 | 8 1/4 | 8 1/2 | 8.250 | | | |
| 268 | AN6230B-46 | 8 1/2 | 8 3/4 | 8.500 | | | |
| 269 | AN6230B-47 | 8 3/4 | 9 | 8.750 | | | |
| 270 | AN6230B-48 | 9 | 9 1/4 | 9.000 | | | |
| 271 | AN6230B-49 | 9 1/4 | 9 1/2 | 9.250 | | | |
| 272 | AN6230B-50 | 9 1/2 | 9 3/4 | 9.500 | | | |
| 273 | AN6230B-51 | 9 3/4 | 10 | 9.750 | | | |
| 274 | AN6230B-52 | 10 | 10 1/4 | 10.000 | | | |
| 325 | AN6227B-28 | 1 1/2 | 1 7/8 | 1.500 | | | |
| 326 | AN6227B-29 | 1 5/8 | 2 | 1.625 | | | |
| 327 | AN6227B-30 | 1 3/4 | 2 1/8 | 1.750 | | | |
| 328 | AN6227B-31 | 1 7/8 | 2 1/4 | 1.875 | | | |
| 329 | AN6227B-32 | 2 | 2 3/8 | 2.000 | | | |
| 330 | AN6227B-33 | 2 1/8 | 2 1/2 | 2.125 | 0.036 0.031 | 0.186 0.184 | 0.188 0.062 |
| 331 | AN6227B-34 | 2 1/4 | 2 5/8 | 2.250 | | | |
| 332 | AN6227B-35 | 2 3/8 | 2 3/4 | 2.375 | | | |
| 333 | AN6227B-36 | 2 1/2 | 2 7/8 | 2.500 | | | |
| 334 | AN6227B-37 | 2 5/8 | 3 | 2.625 | | | |
| 335 | AN6227B-38 | 2 3/4 | 3 1/8 | 2.750 | | | |

Pressure Seals Inc. 81 Commerce Way, South Windsor, CT 06074

Phone: (877)-PSI-SEAL Toll Free, In CT: (860) 282-9100, Fax: (860) 282-9001



Pressure Seals, Inc.

Phone: (877)-PSI-SEAL Toll Free
Thousands of Seals, O-Rings, and U-Cups
World-Class Service since 1976!



TF171 Continued

| AS568 Dash No. | AN6227B AN6230B Dash No. | Nominal | | | T | W | Z |
|----------------------|--------------------------------|---------|--------|--------|-------|-------|-------|
| | | I.D. | O.D. | A Dia. | | | |
| 336 | AN6227B-39 | 2 7/8 | 3 1/4 | 2.875 | | | 0.188 |
| 337 | AN6227B-40 | 3 | 3 3/8 | 3.000 | | | 0.062 |
| 338 | AN6227B-41 | 3 1/8 | 3 1/2 | 3.125 | | | |
| 339 | AN6227B-42 | 3 1/4 | 3 5/8 | 3.250 | | | |
| 340 | AN6227B-43 | 3 3/8 | 3 3/4 | 3.375 | | | |
| 341 | AN6227B-44 | 3 1/2 | 3 7/8 | 3.500 | | | |
| 342 | AN6227B-45 | 3 5/8 | 4 | 3.625 | 0.036 | 0.186 | 0.250 |
| 343 | AN6227B-46 | 3 3/4 | 4 1/8 | 3.750 | 0.031 | 0.184 | 0.093 |
| 344 | AN6227B-47 | 3 7/8 | 4 1/4 | 3.875 | | | |
| 345 | AN6227B-48 | 4 | 4 3/8 | 4.000 | | | |
| 346 | AN6227B-49 | 4 1/8 | 4 1/2 | 4.125 | | | |
| 347 | AN6227B-50 | 4 1/4 | 4 5/8 | 4.250 | | | |
| 348 | AN6227B-51 | 4 3/8 | 4 3/4 | 4.375 | | | |
| 349 | AN6227B-52 | 4 1/2 | 4 7/8 | 4.500 | | | |
| 425 | AN6227B-88 | 4 1/2 | 5 | 4.500 | | | |
| 426 | AN6227B-53 | 4 5/8 | 5 1/8 | 4.625 | | | |
| 427 | AN6227B-54 | 4 3/4 | 5 1/4 | 4.750 | | | |
| 428 | AN6227B-55 | 4 7/8 | 5 3/8 | 4.875 | | | |
| 429 | AN6227B-56 | 5 | 5 1/2 | 5.000 | | | |
| 430 | AN6227B-57 | 5 1/8 | 5 5/8 | 5.125 | | | |
| 431 | AN6227B-58 | 5 1/4 | 5 3/4 | 5.250 | | | |
| 432 | AN6227B-59 | 5 3/8 | 5 7/8 | 5.375 | | | |
| 433 | AN6227B-60 | 5 1/2 | 6 | 5.500 | | | |
| 434 | AN6227B-61 | 5 5/8 | 6 1/8 | 5.625 | | | |
| 435 | AN6227B-62 | 5 3/4 | 6 1/4 | 5.750 | | | |
| 436 | AN6227B-63 | 5 7/8 | 6 3/8 | 5.875 | | | |
| 437 | AN6227B-64 | 6 | 6 1/2 | 6.000 | | | |
| 438 | AN6227B-65 | 6 1/4 | 6 3/4 | 6.250 | | | |
| 439 | AN6227B-66 | 6 1/2 | 7 | 6.500 | | | |
| 440 | AN6227B-67 | 6 3/4 | 7 1/4 | 6.750 | | | |
| 441 | AN6227B-68 | 7 | 7 1/2 | 7.000 | | | |
| 442 | AN6227B-69 | 7 1/4 | 7 3/4 | 7.250 | 0.052 | 0.239 | 0.312 |
| 443 | AN6227B-70 | 7 1/2 | 8 | 7.500 | 0.046 | 0.237 | 0.188 |
| 444 | AN6227B-71 | 7 3/4 | 8 1/4 | 7.750 | | | |
| 445 | AN6227B-72 | 8 | 8 1/2 | 8.000 | | | |
| 446 | AN6227B-73 | 8 1/2 | 9 | 8.500 | | | |
| 447 | AN6227B-74 | 9 | 9 1/2 | 9.000 | | | |
| 448 | AN6227B-75 | 9 1/2 | 10 | 9.500 | | | |
| 449 | AN6227B-76 | 10 | 10 1/2 | 10.000 | | | |
| 450 | AN6227B-77 | 10 1/2 | 11 | 10.500 | | | |
| 451 | AN6227B-78 | 11 | 11 1/2 | 11.000 | | | |
| 452 | AN6227B-79 | 11 1/2 | 12 | 11.500 | | | |
| 453 | AN6227B-80 | 12 | 12 1/2 | 12.000 | | | |
| 454 | AN6227B-81 | 12 1/2 | 13 | 12.500 | | | |
| 455 | AN6227B-82 | 13 | 13 1/2 | 13.000 | | | |
| 456 | AN6227B-83 | 13 1/2 | 14 | 13.500 | | | |
| 457 | AN6227B-84 | 14 | 14 1/2 | 14.000 | | | |
| 458 | AN6227B-85 | 14 1/2 | 15 | 14.500 | | | |
| 459 | AN6227B-86 | 15 | 15 1/2 | 15.000 | | | |
| 460 | AN6227B-87 | 15 1/2 | 16 | 15.500 | | | |

- Notes:**
1. Material: AMS 3656 / AMS 3660.
 2. Surface must be smooth and free from irregularities.
 3. Dimensions are in inches.
 4. Z gap dimensions to be met with retainer over a mandrel of A Diameter +.000 -.002.
 5. Dash Numbers correspond to Dash Numbers of MS35803 and AN6244 leather backup rings.
 6. Coils to be flat and to remain closed within 0.250 inch total in the free condition.

Pressure Seals Inc. 81 Commerce Way, South Windsor, CT 06074

Phone: (877)-PSI-SEAL Toll Free, In CT: (860) 282-9100, Fax: (860) 282-9001