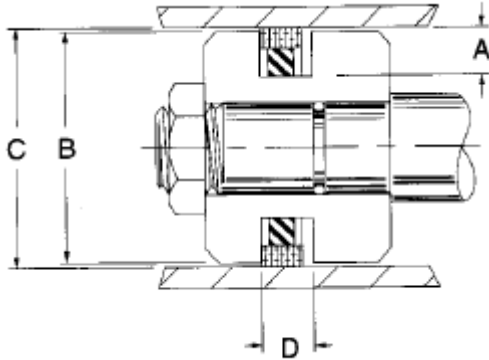


Pressure Seals, Inc.

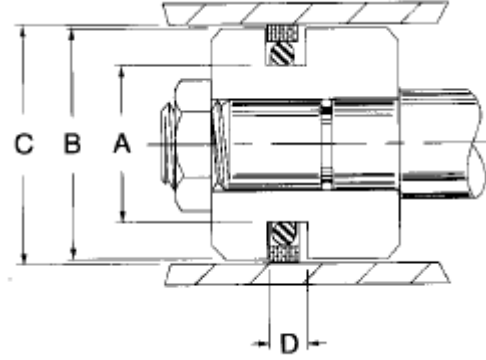
Phone: (877)-PSI-SEAL Toll Free
Thousands of Seals, O-Rings, and U-Cups
World-Class Service since 1976!



AS980 TFE Piston Seals



AS990 Metric Piston Seals



AS980 rectangular piston seal assemblies are manufactured from a custom blended glass/moly reinforced TFE and include a rectangular shaped nitrile lathe cut expander. These rugged seals are replacements for those used in Caterpillar equipment and auxiliary items used on construction equipment. .

These rectangular bronze filled TFE piston seal assemblies include a 70 durometer nitrile o-ring energizer. These heavy duty seals are popular in large bore Asian construction equipment and can be supplied with viton expanders. Consult sales office for price and availability.

Part Number	OEM Part Number	Bore C	Width D	Price
AS980E-32	5J7004	2.00	3/16	
AS980E-36	1U3998	2.250	3/16	
AS980E-40	8J6213	2.500	3/16	
AS980E-44	5J7010	2.750	3/16	
AS980E-48	6J1972	3.000	3/16	
AS980E-52	6J0793	3.250	3/16	
AS980E-56	5J7013	3.500	3/16	
AS980E-60	5J8011	3.750	3/16	
AS980E-64	5J5402	4.000	1/4	
AS980E-68	5J7854	4.250	1/4	
AS980E-72	5J4986	4.500	3/8	
AS980E-76	5J4987	4.750	3/8	
AS980E-80	5J5020	5.000	3/8	
AS980E-84	5J7234	5.250	3/8	
AS980E-88	5J4988	5.500	3/8	
AS980E-96	5J4989	6.000	3/8	
AS980E-100	5J4990	6.250	3/8	
AS980E-104	5J4991	6.500	3/8	
AS980E-112	5J4997	7.000	3/8	
AS980E-116	5J4993	7.250	3/8	
AS980E-120	9J7117	7.500	3/8	
AS980E-124	5J7016	7.750	3/8	
AS980E-132	5J5559	8.250	3/8	
AS980E-136	6J9385	8.500	3/8	
AS980E-148	5J7019	9.250	3/8	
AS980E-168	5J6762	10.500	7/16	

Part Number	Bore Dia. C mm H9	Groove Dia A mm F 8	Groove Width D mm +.02 -.00	Price
AS990E-100MMB	100	86	6.3	
AS990E-110MMB	110	96	6.3	
AS990E-120MMB	120	106	6.3	
AS990E-130MMB	130	111	9.4	
AS990E-140MMB	140	121	9.4	
AS990E-150MMB	150	131	9.4	
AS990E-160MMB	160	141	9.4	
AS990E-180MMB	180	161	9.4	
AS990E-200MMB	200	181	9.4	
AS990E-220MMB	220	201	9.4	
AS990E-225MMB	225	206	9.4	
AS990E-250MMB	250	226.5	11.5	
AS990E-280MMB	280	256.5	11.5	
AS990E-300MMB	300	276.5	11.5	

Pressure Seals Inc. 81 Commerce Way, South Windsor, CT 06074

Phone: (877)-PSI-SEAL Toll Free, In CT: (860) 282-9100, Fax: (860) 282-9001