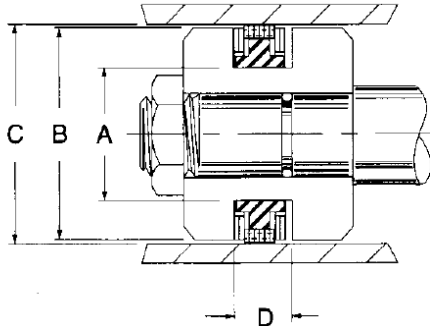


Pressure Seals, Inc.

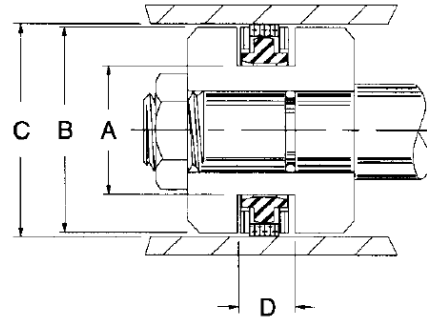
Phone: (877)-PSI-SEAL Toll Free
Thousands of Seals, O-Rings, and U-Cups
World-Class Service since 1976!



4 Piece 4PT TFE Piston Seals



4 Piece Metric Piston Seals

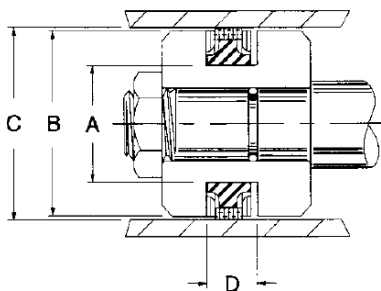


These "heavy-duty" seals are designed to withstand higher pressures and shock loads with less damage to the seal. T-seal principles are utilized with back-ups being used to protect the seal from contaminants. The compact design allows use of shorter pistons and larger bearing surfaces. 4 pc. Piston seals come in many sizes to fit different types of equipment. They are commonly found in heavy equipment such as Caterpillar, John Deere, and Komatsu, as well as some heavy duty industrial cylinders.

Part Number	Bore Dia. C +0.005/-0.000	Piston Dia B +0.005/-0.000	Groove Dia A +0.005/-0.000	Groove Width D ±	Price
4PT4500-500	4.500	4.480	3.909	0.497	
4PT5000-625	5.000	4.980	4.094	0.635	
4PT5500-625	5.500	5.480	4.594	0.635	
4PT6000-625	6.000	5.980	5.094	0.635	
4PT6250-625	6.250	6.230	5.344	0.635	
4PT6500-625	6.500	6.480	5.594	0.635	
4PT7000-625	7.000	6.980	6.094	0.635	
4PT7250-625	7.250	7.230	6.344	0.635	
4PT7500-625	7.500	7.480	6.594	0.635	
4PT7750-625	7.750	7.730	6.844	0.635	
4PT8250-625	8.250	8.230	7.344	0.635	
4PT8500-625	8.500	8.480	7.594	0.635	
4PT10000-687	10.000	9.980	8.898	0.693	
4PT10500-687	10.500	10.480	9.398	0.693	
4PT11500-687	11.500	11.480	10.398	0.693	

Prefix	Part Number				Piston Dia B mm	Groove Width D mm. +0.2/-0.0	Price
	Bore Dia. C mm. H9	Groove Dia. A mm. +0.0/-0.2	Seal Width D Mm				
4PMM - 90	X	75	X	12	89.5	12.5	
4PMM - 100	X	85	X	12	99.5	125.5	
4PMM - 110	X	95	X	12	109.5	12.5	
4PMM - 120	X	105	X	12	119.5	12.5	
4PMM - 125	X	102	X	15.5	124.5	16	
4PMM - 130	X	107	X	15.5	129.5	16	
4PMM - 140	X	117	X	15.5	139.5	16	
4PMM - 150	X	127	X	15.5	149.5	16	
4PMM - 160	X	137	X	15.5	159.5	16	
4PMM - 180	X	157	X	15.5	179.5	16	
4PMM - 200	X	177	X	15.5	199.5	16	
4PMM - 220	X	197	X	15.5	219.5	16	
4PMM - 225	X	202	X	15.5	224.5	16	
4PMM - 250	X	222	X	17	249.5	17.5	
4PMM - 280	X	252	X	17	279.5	17.5	
4PMM - 300	X	272	X	17	299.5	17.5	

4 Piece 4PE TFE Piston Seal



Part Number	Bore Dia. C	Piston Dia B	Groove Dia A +0.00/-0.003	Groove Width D +0.10/0.000	Price
4PE3500-562	3.500	3.495	3.020	0.579	
4PE4000-562	4.000	3.995	3.520	0.579	
4PE4500-562	4.500	4.495	4.020	0.579	
4PE5000-750	5.000	4.993	4.270	0.750	
4PE6000-750	6.000	5.993	5.270	0.750	
4PE7000-750	7.000	6.993	6.270	0.750	
4PE8000-750	8.000	7.993	7.270	0.750	

Pressure Seals Inc. 81 Commerce Way, South Windsor, CT 06074

Phone: (877)-PSI-SEAL Toll Free, In CT: (860) 282-9100, Fax: (860) 282-9001