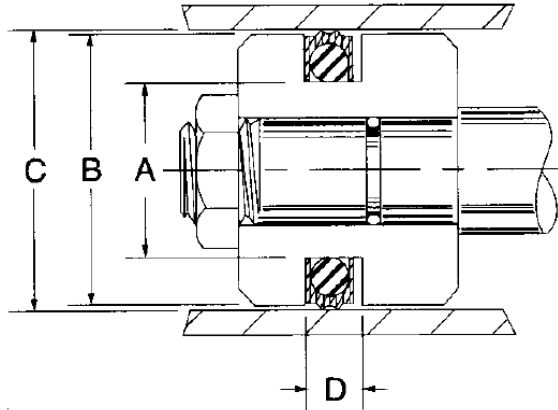


# Pressure Seals, Inc.

Phone: (877)-PSI-SEAL Toll Free  
Thousands of Seals, O-Rings, and U-Cups  
World-Class Service since 1976!

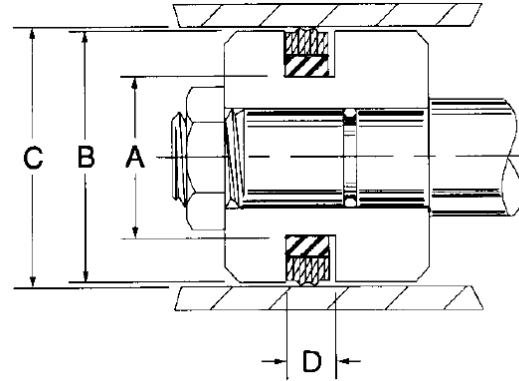


## PSP Piston Seals



Standard Type

## 4 Piece Metric Piston Seals



"A" Type

PSP seals are bi-directional squeeze type piston seals used as direct substitute for o-rings, t-seals and cap seals in industrial no-back-up o-ring grooves. The unique geometry of the PSP seal design creates a fluid reservoir between the two level bi-lip sealing surfaces. This feature provides extra lubrication resulting in reduced breakaway and running friction. PSP seals are manufactured from a proprietary low friction urethane which has excellent abrasion, tear and extrusion resistance. PSP seals provide positive, no drift sealing at a continuous service temperature range from -65 to +220 degrees F, and pressures up to 5000 psi with the recommended groove dimensions and tolerances. Because of tooling changes; PSP seals may be supplied as the "standard" type or the "A" type at any time. Both fit the same groove.

Part Number	Nominal Size			C Bore Dia. +.002 -.000	B Piston Dia +.000 -.001	A Groove Dia +.000 -.002	D Groove Length +.005 -.000.	Price
	O.D.	I.D.	Width					
PSP-210	1	3/4	3/16	1.000	0.997	0.758	0.187	
PSP-212	1-1/8	7/8	3/16	1.125	1.122	0.883	0.187	
PSP-214	1-1/4	1	3/16	1.250	1.247	1.008	0.187	
PSP-216	1-3/8	1-1/8	3/16	1.375	1.372	1.133	0.187	
PSP-218	1-1/2	1-1/4	3/16	1.500	1.497	1.258	0.187	
PSP-220	1-5/8	1-3/8	3/16	1.625	1.622	1.383	0.187	
PSP-222	1-3/4	1-1/2	3/16	1.750	1.747	1.508	0.187	
PSP-326	2	1-5/8	9/32	2.000	1.997	1.630	0.281	
PSP-328	2-1/4	1-7/8	9/32	2.250	2.247	1.880	0.281	
PSP-330	2-1/2	2-1/8	9/32	2.500	2.497	2.130	0.281	
PSP-332	2-3/4	2-3/8	9/32	2.750	2.747	2.380	0.281	
PSP-334	3	2-5/8	9/32	3.000	2.997	2.630	0.281	
PSP-336	3-1/4	2-7/8	9/32	3.250	3.247	2.880	0.281	
PSP-340	3-3/4	3-3/8	9/32	3.750	3.747	3.380	0.281	
PSP-342	4	3-5/8	9/32	4.000	3.997	3.630	0.281	
PSP-346	4-1/2	4-1/8	9/32	4.500	4.497	4.130	0.281	
PSP-350	5	4-5/8	9/32	5.002	4.997	4.630	0.281	
PSP-429	5-1/2	5	3/8	5.502	5.498	5.028	0.375	
PSP-433	6	5-1/2	3/8	6.002	5.998	5.528	0.375	
PSP-437	6-1/2	6	3/8	6.502	6.498	6.028	0.375	
PSP-439	7	6-1/2	3/8	7.002	6.998	6.528	0.375	

Prefix	Part Number			D Groove Width mm +0.2/-0.0	Price
	C Bore Dia. Mm H9	A Groove Dia mm. f8	Seal Width Mm		
PSP -	50	X 40	X 4.3	4.5	
PSP -	55	X 45	X 4.3	4.5	
PSP -	56	X 46	X 4.3	4.5	
PSP -	63	X 48	X 7.3	7.5	
PSP -	70	X 55	X 7.3	7.5	
PSP -	75	X 60	X 7.3	7.5	
PSP -	80	X 65	X 7.3	7.5	
PSP -	100	X 85	X 7.3	7.5	
PSP -	120	X 104	X 7.3	7.5	
PSP -	125	X 109	X 7.3	7.5	
PSP -	130	X 114	X 7.3	7.5	
PSP -	140	X 119	X 7.3	7.5	
PSP -	140	X 124	X 7.3	7.5	
PSP -	150	X 129	X 7.3	7.5	

Pressure Seals Inc. 81 Commerce Way, South Windsor, CT 06074

Phone: (877)-PSI-SEAL Toll Free, In CT: (860) 282-9100, Fax: (860) 282-9001