



Pressure Seals, Inc.

Phone: (877)-PSI-SEAL Toll Free
Thousands of Seals, O-Rings, and U-Cups
World-Class Service since 1976!



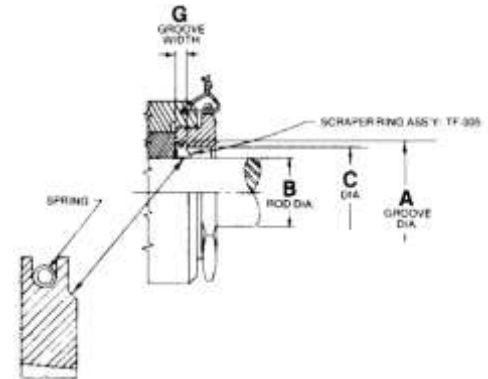
TF 005

SCRAPER INSTALLATION

CODE IDENT. 07128

Dash No.	A Dia.	B Dia.	C Dia.
	+ .004	+ .000	+ .005
	.000	.002	.000
3/8	0.636	0.373	0.523
7/16	0.697	0.435	0.585
1	0.760	0.498	0.647
2	0.823	0.560	0.710
3	0.885	0.623	0.772
4	0.948	0.685	0.834
5	1.010	0.748	0.897
6	1.086	0.810	0.949
7	1.148	0.873	1.012
8	1.210	0.935	1.074
9	1.273	0.998	1.136
10	1.335	1.060	1.199
11	1.398	1.123	1.262
12	1.460	1.185	1.324
13	1.523	1.248	1.386
14	1.614	1.310	1.480
15	1.677	1.373	1.542
16	1.739	1.435	1.605
17	1.802	1.498	1.668
18	1.927	1.623	1.793
19	2.052	1.748	1.918
20	2.177	1.873	2.043
21	2.302	1.998	2.178
22	2.427	2.123	2.303
23	2.552	2.248	2.428
24	2.677	2.373	2.553
25	2.802	2.498	2.678
26	2.989	2.623	2.834
27	3.114	2.748	2.959
28	3.239	2.873	3.084
29	3.364	2.997	3.209
30	3.489	3.122	3.334
31	3.614	3.247	3.459
32	3.729	3.372	3.584
33	3.864	3.497	3.709
34	3.989	3.622	3.834
35	4.114	3.747	3.959
36	4.239	3.872	4.084
37	4.427	3.997	4.240
38	4.552	4.122	4.365
39	4.677	4.247	4.490
40	4.802	4.372	4.615

Dash No.	A Dia.	B Dia.	C Dia.
	+ .005	+ .000	+ .005
	.000	.003	.000
41	4.927	4.497	4.740
42	5.052	4.622	4.865
43	5.177	4.747	4.990
44	5.302	4.872	5.115
45	5.427	4.997	5.240
46	5.552	5.122	5.365
47	5.677	5.247	5.490
48	5.802	5.372	5.615
49	5.927	5.497	5.740
50	6.114	5.622	5.896
51	6.239	5.747	6.022
52	6.364	5.872	6.146
53	6.489	5.997	6.272
54	6.739	6.247	6.522
55	6.989	6.497	6.772
56	7.239	6.747	7.022
57	7.489	6.997	7.272
58	7.739	7.247	7.522
59	7.989	7.497	7.772
60	8.239	7.747	8.022
61	8.489	7.997	8.272
62	8.989	8.497	8.772
63	9.489	8.997	9.272
64	9.989	9.497	9.772
65	10.489	9.997	10.272
66	10.989	10.497	10.772
67	11.489	10.997	11.272
68	11.989	11.497	11.772
69	12.489	11.997	12.272
70	12.989	12.497	12.772
71	13.489	12.997	13.272



Dash No.	G Groove Width
	+ .005 - .000
006-027	0.104
110-148	0.119
210-247	0.135
325-348	0.151
425-459	1.660

Notes:

1. Dash numbers 1 through 71 are dimensionally equivalent to Boeing SCD BACS34A. If ordered under TF 005, they will be supplied in TFE per MIL-R-8791. For other material callouts, refer to Technical Data section.
2. Spring is 300 series stainless steel. For other materials, consult factory.
3. Dash numbers are the same as MS-28776.
4. Installation is in accordance with AND 10075/MS33675.
5. Rod diameter from MIL-G-5514.

Ordering Instructions:

Example: TF 005-19
Basic P/N
Size Dash No.

Ordering Instructions for Boeing Part Number BACS34A

(See Note 1):

Example: BACS34A-19-AorC

Basic P/N

Size Dash No.

Material Code

A-BMS8-121 Typ. I, GR.B, CL. 1 Virgin TFE

C-BMS8-121 Typ. II, GR.B, CL. 1, 15% Graphite Filled TFE

No Suffix – Material is TFE per MIL-R-8791

Pressure Seals Inc. 81 Commerce Way, South Windsor, CT 06074

Phone: (877)-PSI-SEAL Toll Free, In CT: (860) 282-9100, Fax: (860) 282-9001