



# Pressure Seals, Inc.

Phone: (877)-PSI-SEAL Toll Free  
Thousands of Seals, O-Rings, and U-Cups  
World-Class Service since 1976!

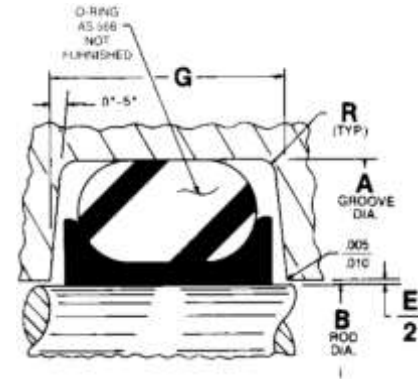


Dash No.	A Dia.	B Dia.	Dash No.	A Dia.	B Dia.	Dash No.	A Dia.	B Dia.
	+001	+000		+002	+000		+002	+000
	-000	.001		.000	.002		-000	-002
<b>012</b>	0.485	0.373	<b>145</b>	2.739	2.561	<b>336</b>	3.245	2.873
	+002	+000	<b>146</b>	2.801	2.623	<b>337</b>	3.369	2.997
	.000	-.002	<b>147</b>	2.864	2.686	<b>338</b>	3.494	3.122
<b>013</b>	0.547	0.435	<b>148</b>	2.926	2.748	<b>339</b>	3.619	3.247
<b>014</b>	0.610	0.498	<b>149</b>	2.989	2.811	<b>340</b>	3.744	3.372
<b>015</b>	0.672	0.560	<b>210</b>	0.991	0.748	<b>341</b>	3.869	3.497
<b>016</b>	0.735	0.623	<b>211</b>	1.053	0.810	<b>342</b>	3.994	3.622
<b>017</b>	0.797	0.685	<b>212</b>	1.116	0.873	<b>343</b>	4.119	3.747
<b>018</b>	0.860	0.748	<b>213</b>	1.178	0.935	<b>344</b>	4.244	3.872
<b>019</b>	0.922	0.810	<b>214</b>	1.241	0.998	<b>345</b>	4.369	3.997
<b>020</b>	0.985	0.873	<b>215</b>	1.303	1.060	<b>346</b>	4.494	4.122
<b>021</b>	1.047	0.935	<b>216</b>	1.366	1.123	<b>347</b>	4.619	4.247
<b>022</b>	1.110	0.998	<b>217</b>	1.428	1.185	<b>348</b>	4.744	4.372
<b>023</b>	1.172	1.060	<b>218</b>	1.491	1.248	<b>349</b>	4.869	4.497
<b>024</b>	1.235	1.123	<b>219</b>	1.553	1.310		+003	+000
<b>025</b>	1.297	1.185	<b>220</b>	1.616	1.373		-000	-003
<b>026</b>	1.360	1.248	<b>221</b>	1.678	1.435	<b>425</b>	4.974	4.497
<b>027</b>	1.422	1.310	<b>222</b>	1.741	1.498	<b>426</b>	5.099	4.622
<b>028</b>	1.485	1.373	<b>223</b>	1.866	1.623	<b>427</b>	5.224	4.747
<b>110</b>	0.551	0.373	<b>224</b>	1.991	1.748	<b>428</b>	5.349	4.872
<b>111</b>	0.613	0.435	<b>225</b>	2.116	1.873	<b>429</b>	5.474	4.997
<b>112</b>	0.676	0.498	<b>226</b>	2.241	1.998	<b>430</b>	5.599	5.122
<b>113</b>	0.738	0.560	<b>227</b>	2.366	2.123	<b>431</b>	5.724	5.247
<b>114</b>	0.801	0.623	<b>228</b>	2.491	2.248	<b>432</b>	5.849	5.372
<b>115</b>	0.863	0.685	<b>229</b>	2.616	2.373	<b>433</b>	5.974	5.497
<b>116</b>	0.926	0.748	<b>230</b>	2.741	2.498	<b>434</b>	6.099	5.622
<b>117</b>	0.988	0.810	<b>231</b>	2.866	2.623	<b>435</b>	6.224	5.747
<b>118</b>	1.051	0.873	<b>232</b>	2.991	2.748	<b>436</b>	6.349	5.872
<b>119</b>	1.113	0.935	<b>233</b>	3.116	2.873	<b>437</b>	6.474	5.997
<b>120</b>	1.176	0.998	<b>234</b>	3.240	2.997	<b>438</b>	6.724	6.247
<b>121</b>	1.238	1.060	<b>235</b>	3.365	3.122	<b>439</b>	6.974	6.497
<b>122</b>	1.301	1.123	<b>236</b>	3.490	3.247	<b>440</b>	7.224	6.747
<b>123</b>	1.363	1.185	<b>237</b>	3.615	3.372	<b>441</b>	7.474	6.997
<b>124</b>	1.426	1.248	<b>238</b>	3.740	3.497	<b>442</b>	7.724	7.247
<b>125</b>	1.488	1.310	<b>239</b>	3.865	3.622	<b>443</b>	7.974	7.497
<b>126</b>	1.551	1.373	<b>240</b>	3.990	3.747	<b>444</b>	8.224	7.747
<b>127</b>	1.613	1.435	<b>241</b>	4.115	3.872	<b>445</b>	8.474	7.997
<b>128</b>	1.676	1.498	<b>242</b>	4.240	3.997	<b>446</b>	8.974	8.497
<b>129</b>	1.738	1.560	<b>243</b>	4.365	4.122		+004	+000
<b>130</b>	1.801	1.623	<b>244</b>	4.490	4.247		-000	.003
<b>131</b>	1.863	1.685	<b>245</b>	4.615	4.372	<b>447</b>	9.474	8.997
<b>132</b>	1.926	1.748	<b>246</b>	4.740	4.497	<b>448</b>	9.974	9.497
<b>133</b>	1.988	1.810	<b>247</b>	4.865	4.622	<b>449</b>	10.474	9.997
<b>134</b>	2.051	1.873	<b>325</b>	1.870	1.498	<b>450</b>	10.974	10.497
<b>135</b>	2.114	1.936	<b>326</b>	1.995	1.623	<b>451</b>	11.474	10.997
<b>136</b>	2.176	1.998	<b>327</b>	2.120	1.748	<b>452</b>	11.974	11.497
<b>137</b>	2.239	2.061	<b>328</b>	2.245	1.873	<b>453</b>	12.474	11.997
<b>138</b>	2.301	2.123	<b>329</b>	2.370	1.998	<b>454</b>	12.974	12.497
<b>139</b>	2.364	2.186	<b>330</b>	2.495	2.123	<b>455</b>	13.474	12.997
<b>140</b>	2.426	2.248	<b>331</b>	2.620	2.248	<b>456</b>	13.974	13.497
<b>141</b>	2.489	2.311	<b>332</b>	2.745	2.373	<b>457</b>	14.474	13.997
<b>142</b>	2.551	2.373	<b>333</b>	2.870	2.498	<b>458</b>	14.974	14.497
<b>143</b>	2.614	2.436	<b>334</b>	2.995	2.623	<b>459</b>	15.474	14.997
<b>144</b>	2.676	2.498	<b>335</b>	3.120	2.748	<b>460</b>	15.974	15.497

CODE IDENT. 07128

## TF 238

**ROD SEAL INSTALLATION**  
FOR MIL-G-5514  
(F REVISION)  
NO BACK-UP GLAND  
HEAVY DUTY SERVICE



Dash No.	G Groove Width	R Groove Radius	E Diametral Clearance Max.
<b>012</b>	0.207	.005-.015	0.004
<b>013-028</b>	0.207	.005-.015	0.005
<b>110-126</b>	0.245	.005-.015	0.005
<b>127-132</b>	0.245	.005-.015	0.006
<b>133-149</b>	0.245	.005-.015	0.007
<b>210-222</b>	0.304	.010-.025	0.005
<b>223-224</b>	0.304	.010-.025	0.006
<b>225-245</b>	0.304	.010-.025	0.007
<b>246-247</b>	0.304	.010-.025	0.008
<b>325-327</b>	0.424	.020-.035	0.006
<b>328-349</b>	0.424	.020-.035	0.007
<b>425-438</b>	0.579	.020-.035	0.009
<b>439-460</b>	0.579	.020-.035	0.010

**Notes:**

- This part is supplied in long wearing Tetralon®. For other material callouts, refer to Technical Data section.
- Dash numbers correspond to AS568.
- O-ring supplied on request. Size is same as seal dash size.
- Suitable for use with MIL-P-83461 O-rings in MIL-H-83282 hydraulic fluid as well as with all standard hydraulic fluids and O-ring compounds.
- Sidewall notches optional.
- This part also supplied with Minigrooves®; add "M" after basic part no. for Minigroove configuration.

**Ordering Instructions:**

Example: TF 238 M-214N  
Basic P/N  
For Minigroove only  
Size Dash No.  
For optional notches only

**Pressure Seals Inc. 81 Commerce Way, South Windsor, CT 06074**

Phone: (877)-PSI-SEAL Toll Free, In CT: (860) 282-9100, Fax: (860) 282-9001