



Pressure Seals, Inc.

Phone: (877)-PSI-SEAL Toll Free
Thousands of Seals, O-Rings, and U-Cups
World-Class Service since 1976!

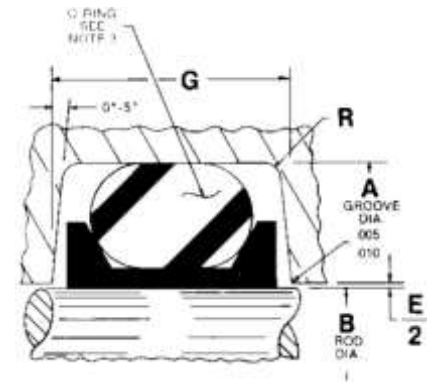


CODE IDENT. 07128

TF 393

ROD SEAL INSTALLATION
FOR MIL-P-5514
(C, D & E REVISIONS)
NO BACK-UP GLAND

Dash No.	A		B		Dash No.	A		B		Dash No.	A		B	
	Dia.	Dia.	Dia.	Dia.		Dia.	Dia.	Dia.	Dia.		Dia.	Dia.	Dia.	Dia.
	+0.02	+0.00		+0.00		+0.02	+0.00		+0.00		+0.02	+0.00		+0.00
	-0.00	-0.02		-0.02		-0.00	-0.02		-0.02		-0.00	-0.02		-0.02
014	0.613	0.501	222	1.741	1.498	344	4.244	3.872						
015	0.675	0.563	223	1.868	1.625	345	4.369	3.997						
016	0.738	0.626	224	1.993	1.750	346	4.494	4.122						
017	0.800	0.688	225	2.118	1.875	347	4.619	4.247						
018	0.863	0.751	226	2.243	2.000	348	4.744	4.372						
019	0.925	0.813	227	2.368	2.125	349	4.869	4.497						
020	0.993	0.881	228	2.493	2.250		+0.03	+0.00						
021	1.055	0.943	229	2.618	2.375		-0.00	-0.03						
022	1.118	1.006	230	2.743	2.500	425	4.974	4.497						
023	1.180	1.068	231	2.868	2.625	426	5.099	4.622						
024	1.243	1.131	232	2.993	2.750	427	5.224	4.747						
025	1.305	1.193	233	3.118	2.875	428	5.349	4.872						
026	1.368	1.256	234	3.243	3.000	429	5.474	4.997						
027	1.430	1.318	235	3.368	3.125	430	5.599	5.122						
028	1.493	1.381	236	3.493	3.250	431	5.724	5.247						
110	0.551	0.373	237	3.618	3.375	432	5.849	5.372						
111	0.613	0.435	238	3.743	3.500	433	5.974	5.497						
112	0.676	0.498	239	3.868	3.625	434	6.099	5.622						
113	0.738	0.560	240	3.993	3.750	435	6.224	5.747						
114	0.801	0.623	241	4.118	3.875	436	6.349	5.872						
115	0.863	0.685	242	4.243	4.000	437	6.474	5.997						
116	0.926	0.748	243	4.368	4.125	438	6.724	6.247						
117	0.993	0.815	244	4.493	4.250	439	6.974	6.497						
118	1.056	0.878	245	4.618	4.375	440	7.224	6.747						
119	1.118	0.940	246	4.743	4.500	441	7.474	6.997						
120	1.181	1.003	247	4.868	4.625	442	7.724	7.247						
121	1.243	1.065	325	1.870	1.498	443	7.974	7.497						
122	1.306	1.128	326	1.995	1.623	444	8.224	7.747						
123	1.368	1.190	327	2.120	1.748	445	8.474	7.997						
124	1.431	1.253	328	2.245	1.873	446	8.974	8.497						
125	1.493	1.315	329	2.370	1.998	447	9.474	8.997						
126	1.558	1.380	330	2.495	2.123	448	9.974	9.497						
127	1.620	1.442	331	2.620	2.248	449	10.474	9.997						
210	0.991	0.748	332	2.745	2.373	450	10.974	10.497						
211	1.053	0.810	333	2.870	2.498	451	11.474	10.997						
212	1.116	0.873	334	2.995	2.623	452	11.974	11.497						
213	1.178	0.935	335	3.120	2.748	453	12.474	11.997						
214	1.241	0.998	336	3.245	2.873	454	12.974	12.497						
215	1.303	1.060	337	3.369	2.997	455	13.474	12.997						
216	1.366	1.123	338	3.494	3.122	456	13.974	13.497						
217	1.428	1.185	339	3.619	3.247	457	14.474	13.997						
218	1.491	1.248	340	3.744	3.372	458	14.974	14.497						
219	1.553	1.310	341	3.869	3.497	459	15.474	14.997						
220	1.616	1.373	342	3.994	3.622	460	15.974	15.497						
221	1.678	1.435	343	4.119	3.747									



Dash No.	G	R	E
	Groove Width +0.010 -0.000	Groove Radius	Diametral Clearance Max.
004-012	0.094	.005-.015	0.004
110-116	0.141	.005-.015	0.005
210-222	0.188	.010-.020	0.006
325-349	0.281	.020-.030	0.007
425-460	0.375	.020-.030	0.008

Notes:

- This part is supplied in virgin TFE. For other material callouts, refer to Technical Data section.
- Dash numbers correspond to AS568.
- O-ring supplied on request. Size is same as seal dash size.
- Part Dash Numbers 110 through 116; 210 through 222 and 325 through 349 conform to Boeing SCD BACR12AT and are supplied in VTFE per AMS 3651.
- Sidewall notches optional.
- This part also supplied with Minigrooves®; add "M" after basic part no. for Minigroove configuration.

Ordering Instructions:

Example: TF 393 M-214N
Basic P/N
For Minigroove only
Size Dash No.
For optional notches only

Ordering Instructions for Boeing Part Number BACR12AT

(See Note 4):
Example: BACR12AT-214
Basic P/N
Size Dash No.

Pressure Seals Inc. 81 Commerce Way, South Windsor, CT 06074

Phone: (877)-PSI-SEAL Toll Free, In CT: (860) 282-9100, Fax: (860) 282-9001