



Pressure Seals, Inc.

Phone: (877)-PSI-SEAL Toll Free
Thousands of Seals, O-Rings, and U-Cups
World-Class Service since 1976!

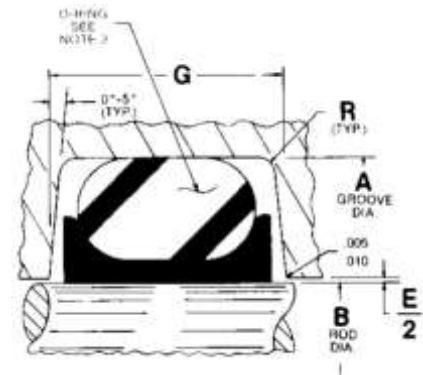


Dash No.	A Dia.	B Dia.	Dash No.	A Dia.	B Dia.	Dash No.	A Dia.	B Dia.
	+0.01	+0.00		+0.02	+0.00		+0.02	+0.00
	-0.00	-0.01		-0.00	-0.02		-0.00	-0.02
012	0.485	0.373	145	2.743	2.565	336	3.245	2.873
	+0.02	+0.00	146	2.805	2.627	337	3.369	2.997
	.000	-0.02	147	2.868	2.690	338	3.494	3.122
013	0.550	0.438	148	2.930	2.752	339	3.619	3.247
014	0.613	0.501	149	2.993	2.815	340	3.744	3.372
015	0.675	0.563	210	0.991	0.748	341	3.869	3.497
016	0.738	0.626	211	1.053	0.810	342	3.994	3.622
017	0.800	0.688	212	1.116	0.873	343	4.119	3.747
018	0.863	0.751	213	1.178	0.935	344	4.244	3.872
019	0.925	0.813	214	1.241	0.998	345	4.369	3.997
020	0.993	0.881	215	1.303	1.060	346	4.494	4.122
021	1.055	0.943	216	1.366	1.123	347	4.619	4.247
022	1.118	1.006	217	1.428	1.185	348	4.744	4.372
023	1.180	1.068	218	1.491	1.248	349	4.869	4.497
024	1.243	1.131	219	1.553	1.310		+0.03	+0.00
025	1.305	1.193	220	1.616	1.373		-0.00	-0.03
026	1.368	1.256	221	1.678	1.435	425	4.974	4.497
027	1.430	1.318	222	1.741	1.498	426	5.099	4.622
028	1.493	1.381	223	1.868	1.625	427	5.224	4.747
110	0.551	0.373	224	1.993	1.750	428	5.349	4.872
111	0.613	0.435	225	2.118	1.875	429	5.474	4.997
112	0.676	0.498	226	2.243	2.000	430	5.599	5.122
113	0.738	0.560	227	2.368	2.125	431	5.724	5.247
114	0.801	0.623	228	2.493	2.250	432	5.849	5.372
115	0.863	0.685	229	2.618	2.375	433	5.974	5.497
116	0.926	0.748	230	2.743	2.500	434	6.099	5.622
117	0.993	0.815	231	2.868	2.625	435	6.224	5.747
118	1.056	0.878	232	2.993	2.750	436	6.349	5.872
119	1.118	0.940	233	3.118	2.875	437	6.474	5.997
120	1.181	1.003	234	3.243	3.000	438	6.724	6.247
121	1.243	1.065	235	3.368	3.125	439	6.974	6.497
122	1.306	1.128	236	3.493	3.250	440	7.224	6.747
123	1.368	1.190	237	3.618	3.375	441	7.474	6.997
124	1.431	1.253	238	3.743	3.500	442	7.724	7.247
125	1.493	1.315	239	3.868	3.625	443	7.974	7.497
126	1.558	1.380	240	3.993	3.750	444	8.224	7.747
127	1.620	1.442	241	4.118	3.875	445	8.474	7.997
128	1.683	1.505	242	4.243	4.000	446	8.974	8.497
129	1.742	1.564	243	4.368	4.125	447	9.474	8.997
130	1.805	1.627	244	4.493	4.250	448	9.974	9.497
131	1.867	1.689	245	4.618	4.375	449	10.474	9.997
132	1.930	1.752	246	4.743	4.500	450	10.974	10.497
133	1.992	1.814	247	4.868	4.625	451	11.474	10.997
134	2.055	1.877	325	1.870	1.498	452	11.974	11.497
135	2.118	1.940	326	1.995	1.623	453	12.474	11.997
136	2.180	2.002	327	2.120	1.748	454	12.974	12.497
137	2.243	2.065	328	2.245	1.873	455	13.474	12.997
138	2.305	2.127	329	2.370	1.998	456	13.974	13.497
139	2.368	2.190	330	2.495	2.123	457	14.474	13.997
140	2.430	2.252	331	2.620	2.248	458	14.974	14.497
141	2.493	2.315	332	2.745	2.373	459	15.474	14.997
142	2.555	2.377	333	2.870	2.498	460	15.974	15.497
143	2.618	2.440	334	2.995	2.623			
144	2.680	2.502	335	3.120	2.748			

CODE IDENT. 07128

TF 402

ROD SEAL INSTALLATION
FOR MIL-P-5514
(C, D & E REVISIONS)
TWO BACK-UP GLAND



Dash No.	G Groove Width +.010 -.000	R Groove Radius	E Diametral Clearance Max.
012	0.207	.005-.015	0.004
013-028	0.207	.005-.015	0.005
110-149	0.245	.005-.015	0.005
210-247	0.304	.010-.025	0.006
325-349	0.424	.020-.030	0.007
425-460	0.579	.020-.030	0.010

Notes:

- This part is supplied in long wearing Tetralon®. For other material callouts, refer to Technical Data section.
- Dash numbers correspond to AS568.
- O-ring supplied on request. Size is same as seal dash size.
- Sidewall notches optional.
- This part also supplied with Minigrooves®; add "M" after basic part no. for Minigroove configuration.
- Dash numbers 112 through 116, 210 through 222 and 325 through 349 conform to Boeing SCD BACR12BG. These parts are 15% graphite filled TFE.

Ordering Instructions:

Example: TF 402 M-214N
Basic P/N
For Minigroove only
Size Dash No.
For optional notches only

Ordering Instructions for Boeing Part Number BACR12BG

(See Note 6):
Example: BACR12BG-214 A
Basic P/N
Size Dash No.
Material
(15% Graphite Filled TFE)

Pressure Seals Inc. 81 Commerce Way, South Windsor, CT 06074

Phone: (877)-PSI-SEAL Toll Free, In CT: (860) 282-9100, Fax: (860) 282-9001