



# Pressure Seals, Inc.

Phone: (877)-PSI-SEAL Toll Free  
Thousands of Seals, O-Rings, and U-Cups  
World-Class Service since 1976!

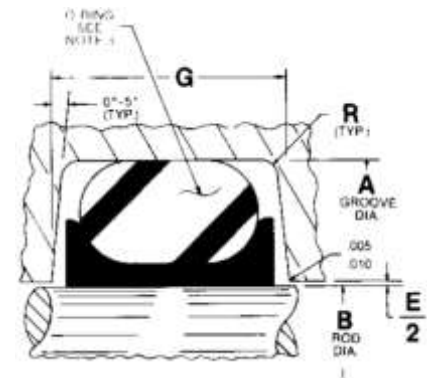


Dash No.	A Dia.	B Dia.	Dash No.	A Dia.	B Dia.	Dash No.	A Dia.	B Dia.
	+0.01	+0.00		+0.02	+0.00		+0.02	+0.00
	-0.00	-0.01		-0.00	-0.02		-0.00	-0.02
<b>012</b>	0.485	0.373	<b>145</b>	2.743	2.565	<b>336</b>	3.245	2.873
	+0.02	+0.00	<b>146</b>	2.805	2.627	<b>337</b>	3.369	2.997
	-0.00	-0.02	<b>147</b>	2.868	2.690	<b>338</b>	3.494	3.122
<b>013</b>	0.550	0.438	<b>148</b>	2.930	2.752	<b>339</b>	3.619	3.247
<b>014</b>	0.613	0.501	<b>149</b>	2.993	2.815	<b>340</b>	3.744	3.372
<b>015</b>	0.675	0.563	<b>210</b>	0.991	0.748	<b>341</b>	3.869	3.497
<b>016</b>	0.738	0.626	<b>211</b>	1.053	0.810	<b>342</b>	3.994	3.622
<b>017</b>	0.800	0.688	<b>212</b>	1.116	0.873	<b>343</b>	4.119	3.747
<b>018</b>	0.863	0.751	<b>213</b>	1.178	0.935	<b>344</b>	4.244	3.872
<b>019</b>	0.925	0.813	<b>214</b>	1.241	0.998	<b>345</b>	4.369	3.997
<b>020</b>	0.993	0.881	<b>215</b>	1.303	1.060	<b>346</b>	4.494	4.122
<b>021</b>	1.055	0.943	<b>216</b>	1.366	1.123	<b>347</b>	4.619	4.247
<b>022</b>	1.118	1.006	<b>217</b>	1.428	1.185	<b>348</b>	4.744	4.372
<b>023</b>	1.180	1.068	<b>218</b>	1.491	1.248	<b>349</b>	4.869	4.497
<b>024</b>	1.243	1.131	<b>219</b>	1.553	1.310		+0.03	+0.00
<b>025</b>	1.305	1.193	<b>220</b>	1.616	1.373		-0.00	-0.03
<b>026</b>	1.368	1.256	<b>221</b>	1.678	1.435	<b>425</b>	4.974	4.497
<b>027</b>	1.430	1.318	<b>222</b>	1.741	1.498	<b>426</b>	5.099	4.622
<b>028</b>	1.493	1.381	<b>223</b>	1.868	1.625	<b>427</b>	5.224	4.747
<b>110</b>	0.551	0.373	<b>224</b>	1.993	1.750	<b>428</b>	5.349	4.872
<b>111</b>	0.613	0.435	<b>225</b>	2.118	1.875	<b>429</b>	5.474	4.997
<b>112</b>	0.676	0.498	<b>226</b>	2.243	2.000	<b>430</b>	5.599	5.122
<b>113</b>	0.738	0.560	<b>227</b>	2.368	2.125	<b>431</b>	5.724	5.247
<b>114</b>	0.801	0.623	<b>228</b>	2.493	2.250	<b>432</b>	5.849	5.372
<b>115</b>	0.863	0.685	<b>229</b>	2.618	2.375	<b>433</b>	5.974	5.497
<b>116</b>	0.926	0.748	<b>230</b>	2.743	2.500	<b>434</b>	6.099	5.622
<b>117</b>	0.993	0.815	<b>231</b>	2.868	2.625	<b>435</b>	6.224	5.747
<b>118</b>	1.056	0.878	<b>232</b>	2.993	2.750	<b>436</b>	6.349	5.872
<b>119</b>	1.118	0.940	<b>233</b>	3.118	2.875	<b>437</b>	6.474	5.997
<b>120</b>	1.181	1.003	<b>234</b>	3.243	3.000	<b>438</b>	6.724	6.247
<b>121</b>	1.243	1.065	<b>235</b>	3.368	3.125	<b>439</b>	6.974	6.497
<b>122</b>	1.306	1.128	<b>236</b>	3.493	3.250	<b>440</b>	7.224	6.747
<b>123</b>	1.368	1.190	<b>237</b>	3.618	3.375	<b>441</b>	7.474	6.997
<b>124</b>	1.431	1.253	<b>238</b>	3.743	3.500	<b>442</b>	7.724	7.247
<b>125</b>	1.493	1.315	<b>239</b>	3.868	3.625	<b>443</b>	7.974	7.497
<b>126</b>	1.558	1.380	<b>240</b>	3.993	3.750	<b>444</b>	8.224	7.747
<b>127</b>	1.620	1.442	<b>241</b>	4.118	3.875	<b>445</b>	8.474	7.997
<b>128</b>	1.683	1.505	<b>242</b>	4.243	4.000	<b>446</b>	8.974	8.497
<b>129</b>	1.742	1.564	<b>243</b>	4.368	4.125	<b>447</b>	9.474	8.997
<b>130</b>	1.805	1.627	<b>244</b>	4.493	4.250	<b>448</b>	9.974	9.497
<b>131</b>	1.867	1.689	<b>245</b>	4.618	4.375	<b>449</b>	10.474	9.997
<b>132</b>	1.930	1.752	<b>246</b>	4.743	4.500	<b>450</b>	10.974	10.497
<b>133</b>	1.992	1.814	<b>247</b>	4.868	4.625	<b>451</b>	11.474	10.997
<b>134</b>	2.055	1.877	<b>325</b>	1.870	1.498	<b>452</b>	11.974	11.497
<b>135</b>	2.118	1.940	<b>326</b>	1.995	1.623	<b>453</b>	12.474	11.997
<b>136</b>	2.180	2.002	<b>327</b>	2.120	1.748	<b>454</b>	12.974	12.497
<b>137</b>	2.243	2.065	<b>328</b>	2.245	1.873	<b>455</b>	13.474	12.997
<b>138</b>	2.305	2.127	<b>329</b>	2.370	1.998	<b>456</b>	13.974	13.497
<b>139</b>	2.368	2.190	<b>330</b>	2.495	2.123	<b>457</b>	14.474	13.997
<b>140</b>	2.430	2.252	<b>331</b>	2.620	2.248	<b>458</b>	14.974	14.497
<b>141</b>	2.493	2.315	<b>332</b>	2.745	2.373	<b>459</b>	15.474	14.997
<b>142</b>	2.555	2.377	<b>333</b>	2.870	2.498	<b>460</b>	15.974	15.497
<b>143</b>	2.618	2.440	<b>334</b>	2.995	2.623			
<b>144</b>	2.680	2.502	<b>335</b>	3.120	2.748			

CODE IDENT. 07128

## TF 404

**ROD SEAL INSTALLATION**  
FOR MIL-P-5514  
(C, D & REVISIONS)  
ONE BACK-UP GLAND



Dash No.	G Groove Width +0.010 -0.000	R Groove Radius	E Diametral Clearance Max.
<b>012</b>	0.149	.005-.015	0.004
<b>013-028</b>	0.149	.005-.015	0.005
<b>110-149</b>	0.183	.005-.015	0.005
<b>210-247</b>	0.225	.010-.025	0.006
<b>325-349</b>	0.334	.020-.030	0.007
<b>425-460</b>	0.440	.020-.030	0.010

**Notes:**

- This part is supplied in long wearing Tetralon®. For other material callouts, refer to Technical Data section.
- Dash numbers correspond to AS568.
- O-ring supplied on request. Size is same as seal dash size.
- Sidewall notches optional.
- This part also supplied with Minigrooves®; add "M" after basic part no. for Minigroove configuration.

**Ordering Instructions:**

Example: TF 404 M-214N  
Basic P/N  
For Minigroove only  
Size Dash No.  
For optional notches only

Pressure Seals Inc. 81 Commerce Way, South Windsor, CT 06074

Phone: (877)-PSI-SEAL Toll Free, In CT: (860) 282-9100, Fax: (860) 282-9001