



Pressure Seals, Inc.

Phone: (877)-PSI-SEAL Toll Free
Thousands of Seals, O-Rings, and U-Cups
World-Class Service since 1976!

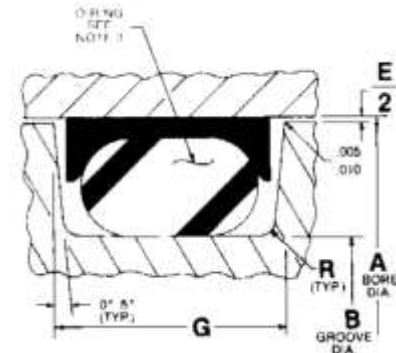


CODE IDENT. 07128

TF 429

PISTON SEAL INSTALLATION
FOR MIL-P-5514
(C, D & E REVISIONS)
TWO BACK-UP GLAND

Dash No.	A Dia.	B Dia.	Dash No.	A Dia.	B Dia.	Dash No.	A Dia.	B Dia.
	+0.001	+0.000		+0.002	+0.000		+0.002	+0.000
	-0.000	-0.001		-0.000	-0.002		-0.000	-0.002
004	0.190	0.076	214	1.241	0.998	340	3.744	3.372
005	0.221	0.108	215	1.303	1.060	341	3.869	3.497
006	0.235	0.123	216	1.366	1.123	342	3.994	3.622
007	0.266	0.154	217	1.428	1.185	343	4.119	3.747
008	0.297	0.185	218	1.491	1.248	344	4.244	3.872
009	0.329	0.217	219	1.553	1.310	345	4.369	3.997
010	0.360	0.248	220	1.616	1.373	346	4.494	4.122
011	0.422	0.310	221	1.678	1.435	347	4.619	4.247
012	0.485	0.373	222	1.741	1.498	348	4.744	4.372
	+0.002	+0.000	223	1.868	1.625	349	4.869	4.497
	-0.000	-0.002	224	1.993	1.750			
013	0.550	0.438	225	2.118	1.875		+0.003	+0.000
014	0.613	0.501	226	2.243	2.000		-0.000	-0.003
015	0.675	0.563	227	2.368	2.125	425	4.974	4.497
016	0.738	0.626	228	2.493	2.250	426	5.099	4.622
017	0.800	0.688	229	2.618	2.375	427	5.224	4.747
018	0.863	0.751	230	2.743	2.500	428	5.349	4.872
019	0.925	0.813	231	2.868	2.625	429	5.474	4.997
020	0.993	0.881	232	2.993	2.750	430	5.599	5.122
021	1.055	0.943	233	3.118	2.875	431	5.724	5.247
022	1.118	1.006	234	3.243	3.000	432	5.849	5.372
023	1.180	1.068	235	3.368	3.125	433	5.974	5.497
024	1.243	1.131	236	3.493	3.250	434	6.099	5.622
025	1.305	1.193	237	3.618	3.375	435	6.224	5.747
026	1.368	1.256	238	3.743	3.500	436	6.349	5.872
027	1.430	1.318	239	3.868	3.625	437	6.474	5.997
028	1.493	1.381	240	3.993	3.750	438	6.724	6.247
110	0.551	0.373	241	4.118	3.875	439	6.974	6.497
111	0.613	0.435	242	4.243	4.000	440	7.224	6.747
112	0.676	0.498	243	4.368	4.125	441	7.474	6.997
113	0.738	0.560	244	4.493	4.250	442	7.724	7.247
114	0.801	0.623	245	4.618	4.375	443	7.974	7.497
115	0.863	0.685	246	4.743	4.500	444	8.224	7.747
116	0.926	0.748	247	4.868	4.625	445	8.474	7.997
117	0.993	0.815	325	1.870	1.498	446	8.974	8.497
118	1.056	0.878	326	1.995	1.623	447	9.474	8.997
119	1.118	0.940	327	2.120	1.748	448	9.974	9.497
120	1.181	1.003	328	2.245	1.873	449	10.474	9.997
121	1.243	1.065	329	2.370	1.998	450	10.974	10.497
122	1.306	1.128	330	2.495	2.123	451	11.474	10.997
123	1.368	1.190	331	2.620	2.248	452	11.974	11.497
124	1.431	1.253	332	2.745	2.373	453	12.474	11.997
125	1.493	1.315	333	2.870	2.498	454	12.974	12.497
126	1.558	1.380	334	2.995	2.623	455	13.474	12.997
127	1.620	1.442	335	3.120	2.748	456	13.974	13.497
210	0.991	0.748	336	3.245	2.873	457	14.474	13.997
211	1.053	0.810	337	3.369	2.997	458	14.974	14.497
212	1.116	0.873	338	3.494	3.122	459	15.474	14.997
213	1.178	0.935	339	3.619	3.247	460	15.974	15.497



Dash No.	G Groove Width +0.010 -0.000	R Groove Radius	E Diametral Clearance Max.
012	0.207	.005-.015	0.004
013-028	0.207	.005-.015	0.005
110-149	0.245	.005-.015	0.005
210-247	0.304	.010-.025	0.006
325-349	0.424	.020-.030	0.007
425-460	0.579	.020-.030	0.010

Notes:

- This part is supplied in long wearing Tetralon®. For other material callouts, refer to Technical Data section.
- Dash numbers correspond to AS568.
- O-ring supplied on request. Size is same as seal dash size.
- Sidewall notches optional.
- This part also supplied with Minigrooves®; add "M" after basic part no. for Minigroove configuration.
- Part Dash Numbers 004 through 012; 110 through 116; 210 through 222 and 325 through 349 conform to Boeing SCD BACR12BF. These parts are 15% graphite filled TFE.

Ordering Instructions:

Example: TF 429 M-214N
Basic P/N
For Minigroove only
Size Dash No.
For optional notches only

Ordering Instructions for Boeing Part Number BACR12BF

(See Note 6):
Example: BACR12BF-214 A
Basic P/N
Size Dash No.
Material Code
(15% Graphite filled TFE)

Pressure Seals Inc. 81 Commerce Way, South Windsor, CT 06074

Phone: (877)-PSI-SEAL Toll Free, In CT: (860) 282-9100, Fax: (860) 282-9001