



Pressure Seals, Inc.

Phone: (877)-PSI-SEAL Toll Free
Thousands of Seals, O-Rings, and U-Cups
World-Class Service since 1976!

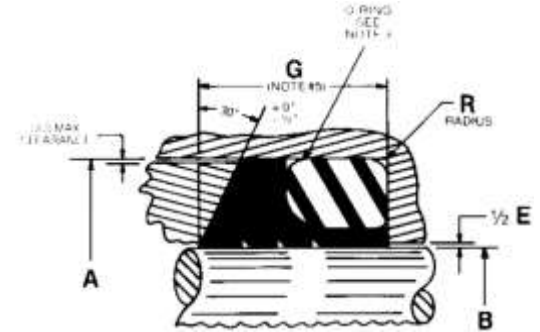


CODE IDENT. 07128

TF 455

ROD SEAL INSTALLATION
(FOOT SEAL)
FOR MIL-P-5514
(C, D & E REVISIONS)
MODIFIED TWO BACK-UP GLAND

Dash No.	A Dia.	B Dia.	Dash No.	A Dia.	B Dia.	Dash No.	A Dia.	B Dia.
	+0.000	+0.001		+0.000	+0.002		+0.000	+0.003
	-0.001	-0.000		-0.002	-0.000		-0.003	-0.000
006	0.235	0.123	327	2.120	1.748	431	5.724	5.247
007	0.266	0.154	328	2.245	1.873	432	5.849	5.372
008	0.297	0.185	329	2.370	1.998	433	5.974	5.497
009	0.329	0.217	330	2.495	2.123	434	6.099	5.622
010	0.360	0.248	331	2.620	2.248	435	6.224	5.747
011	0.422	0.310	332	2.745	2.373	436	6.349	5.872
012	0.485	0.373	333	2.870	2.498	437	6.474	5.997
	+0.000	+0.002	334	2.995	2.623	438	6.724	6.247
	-0.002	-0.000	335	3.120	2.748	439	6.974	6.497
110	0.551	0.373	336	3.245	2.873	440	7.224	6.747
111	0.613	0.435	337	3.369	2.997	441	7.474	6.997
112	0.676	0.498	338	3.494	3.122	442	7.724	7.247
113	0.738	0.560	339	3.619	3.247	443	7.974	7.497
114	0.801	0.623	340	3.744	3.372	444	8.224	7.747
115	0.863	0.685	341	3.869	3.497	445	8.474	7.997
116	0.926	0.748	342	3.994	3.622	446	8.724	8.247
210	0.991	0.748	343	4.119	3.747	447	9.474	8.997
211	1.053	0.810	344	4.244	3.872	448	9.974	9.497
212	1.116	0.873	345	4.369	3.997	449	10.474	9.997
213	1.178	0.935	346	4.494	4.122	450	10.974	10.497
214	1.241	0.998	347	4.619	4.247	451	11.474	10.997
215	1.303	1.060	348	4.744	4.372	452	11.974	11.497
216	1.366	1.123	349	4.869	4.497	453	12.474	11.997
217	1.428	1.185		+0.000	+0.003	454	12.974	12.497
218	1.491	1.248		-0.003	-0.000	455	13.474	12.997
219	1.553	1.310	425	4.974	4.497	456	13.974	13.497
220	1.616	1.373	426	5.099	4.622	457	14.474	13.997
221	1.678	1.435	427	5.224	4.747	458	14.974	14.497
222	1.741	1.498	428	5.349	4.872	459	15.474	14.997
325	1.870	1.498	429	5.474	4.997	460	15.974	15.497
326	1.995	1.623	430	5.599	5.122			



Dash No.	G Groove Width +0.010 -0.000	R Groove Radius	E Diametral Clearance Max.
006-012	0.207	.005-.015	0.004
110-116	0.245	.005-.015	0.005
210-222	0.304	.010-.025	0.006
325-349	0.424	.020-.030	0.007
425-460	0.579	.020-.030	0.010

Notes:

- This part is supplied in virgin TFE. For other material callouts, refer to Technical Data section.
- Dash numbers correspond to AS568.
- O-ring supplied on request. Size is same as seal dash size.
- The TF455 rod seal is approved by Boeing Airplane Co. under SCD BACS11AA. See instructions for ordering Boeing Part No.
- Groove width "G" per MIL-P-5514 rev. C, D & E modified as shown.

Ordering Instructions for Boeing Part Number BACS11AA
(See Note 4):

Example: BACS11AA-214-A
Basic P/N
Size Dash No.
VTFE per BMS-8-121
Typ. 1, GR.A, CL. 1

Pressure Seals Inc. 81 Commerce Way, South Windsor, CT 06074

Phone: (877)-PSI-SEAL Toll Free, In CT: (860) 282-9100, Fax: (860) 282-9001