



# Pressure Seals, Inc.

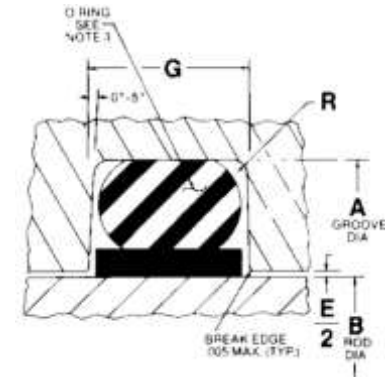
Phone: (877)-PSI-SEAL Toll Free  
Thousands of Seals, O-Rings, and U-Cups  
World-Class Service since 1976!



CODE IDENT. 07128

## TF 461

ROD SEAL INSTALLATION  
FOR MIL-P-5514  
(C, D & E REVISIONS)  
STANDARD ROD/SPECIAL GLAND



Dash No.	G	R	E
	Groove Width +0.005 -0.000	Groove Radius	Diametral Clearance Max.
006-012	0.079	.005-.015	0.004
013-027	0.079	.005-.015	0.005
110-148	0.112	.005-.015	0.005
210-246	0.149	.010-.025	0.006
325-348	0.221	.020-.030	0.007
425-436	0.297	.020-.030	0.010

**Notes:**

- This part is supplied in long wearing Tetralon®. For other material callouts, refer to Technical Data section.
- Dash numbers correspond to AS568.
- O-ring supplied on request. Size is one Dash number higher than seal size. For example, TF-461-214 uses 215 O-ring.
- The TF-461 rod seals fit all rod diameters per MIL-P-5514 Rev. C, D & E.
- The TF-461 rod seal may also be used for rod diameters manufactured to MIL-G-5514F.
- Sidewall notches optional.
- This part also supplied with Minigrooves®; add "M" after basic part no. for Minigroove configuration.

**Ordering Instructions:**

Example: TF 461 M-214N  
Basic P/N  
For Minigroove only  
Size Dash No.  
For optional notches only

Dash No.	A Dia.	B Dia.	Dash No.	A Dia.	B Dia.	Dash No.	A Dia.	B Dia.
	+0.001	+0.000		+0.002	+0.000		+0.002	+0.000
	.000	.001		.000	.002		.000	.002
006	0.266	0.123	132	1.992	1.752	239	3.993	3.625
007	0.297	0.154	133	2.055	1.814	240	4.118	3.750
008	0.329	0.185	134	2.118	1.877	241	4.243	3.875
009	0.360	0.217	135	2.180	1.940	242	4.368	4.000
010	0.422	0.248	136	2.243	2.002	243	4.493	4.125
011	0.485	0.310	137	2.305	2.065	244	4.618	4.250
012	0.550	0.373	138	2.368	2.127	245	4.743	4.375
	+0.002	+0.000	139	2.430	2.190	246	4.868	4.500
	.000	.002	140	2.493	2.252	325	1.995	1.498
013	0.613	0.438	141	2.555	2.315	326	2.120	1.623
014	0.675	0.501	142	2.618	2.377	327	2.245	1.748
015	0.738	0.563	143	2.680	2.440	328	2.370	1.873
016	0.800	0.626	144	2.743	2.502	329	2.495	1.998
017	0.863	0.688	145	2.805	2.565	330	2.620	2.123
018	0.927	0.751	146	2.868	2.627	331	2.745	2.248
019	0.993	0.813	147	2.930	2.690	332	2.870	2.373
020	1.055	0.881	148	2.993	2.752	333	2.995	2.498
021	1.118	0.943	210	1.053	0.748	334	3.120	2.623
022	1.180	1.006	211	1.116	0.810	335	3.245	2.748
023	1.243	1.068	212	1.178	0.873	336	3.369	2.873
024	1.305	1.131	213	1.241	0.935	337	3.494	2.997
025	1.368	1.193	214	1.303	0.998	338	3.619	3.122
026	1.430	1.256	215	1.366	1.060	339	3.744	3.247
027	1.493	1.318	216	1.428	1.123	340	3.869	3.372
110	0.613	0.373	217	1.491	1.185	341	3.994	3.497
111	0.676	0.435	218	1.553	1.248	342	4.119	3.622
112	0.738	0.498	219	1.616	1.310	343	4.244	3.747
113	0.801	0.560	220	1.678	1.373	344	4.369	3.872
114	0.863	0.623	221	1.741	1.435	345	4.494	3.997
115	0.926	0.685	222	1.803	1.498	346	4.619	4.122
116	0.989	0.748	223	1.865	1.561	347	4.744	4.247
117	1.056	0.815	224	1.928	1.625	348	4.869	4.372
118	1.118	0.878	225	2.243	1.875		+0.003	+0.000
119	1.181	0.940	226	2.368	2.000		.000	.003
120	1.243	1.003	227	2.493	2.125	425	5.099	4.497
121	1.306	1.065	228	2.618	2.250	426	5.224	4.622
122	1.368	1.128	229	2.743	2.375	427	5.349	4.747
123	1.431	1.190	230	2.868	2.500	428	5.474	4.872
124	1.493	1.253	231	2.993	2.625	429	5.599	4.997
125	1.558	1.315	232	3.118	2.750	430	5.724	5.122
126	1.620	1.380	233	3.243	2.875	431	5.849	5.247
127	1.683	1.442	234	3.368	3.000	432	5.974	5.372
128	1.742	1.505	235	3.493	3.125	433	6.099	5.497
129	1.805	1.564	236	3.618	3.250	434	6.224	5.622
130	1.867	1.627	237	3.743	3.375	435	6.349	5.747
131	1.930	1.689	238	3.868	3.500	436	6.474	5.872

Pressure Seals Inc. 81 Commerce Way, South Windsor, CT 06074

Phone: (877)-PSI-SEAL Toll Free, In CT: (860) 282-9100, Fax: (860) 282-9001