



Pressure Seals, Inc.

Phone: (877)-PSI-SEAL Toll Free
Thousands of Seals, O-Rings, and U-Cups
World-Class Service since 1976!

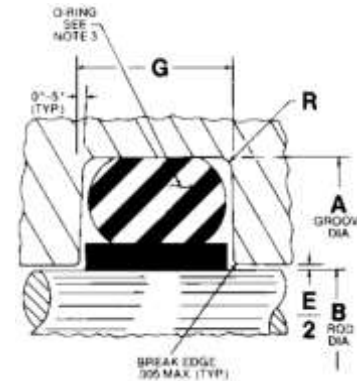


Dash No.	A Dia.	B Dia.	Dash No.	A Dia.	B Dia.	Dash No.	A Dia.	B Dia.
	+0.02	+0.00		0.003	+0.00		0.005	+0.00
	-.000	-.002		-.000	-0.003		-.000	-0.005
006	0.268	0.125	140	2.487	2.250	330	2.616	2.125
007	0.299	0.156	141	2.549	2.312	331	2.741	2.250
008	0.331	0.188	142	2.612	2.375	332	2.866	2.375
009	0.362	0.219	143	2.674	2.437	333	2.991	2.500
010	0.424	0.250	144	2.737	2.500	334	3.116	2.625
011	0.487	0.312	145	2.799	2.562	335	3.241	2.750
012	0.550	0.375	146	2.862	2.625	336	3.366	2.875
	+0.02	+0.00	147	2.924	2.687	337	3.491	3.000
	-.000	-.002	148	2.987	2.750	338	3.616	3.125
013	0.610	0.437		0.004	+0.00	339	3.741	3.250
014	0.672	0.500		-.000	-0.004	340	3.866	3.375
015	0.735	0.562	210	1.050	0.750	341	3.991	3.500
016	0.797	0.625	211	1.113	0.812	342	4.116	3.625
017	0.860	0.687	212	1.175	0.875	343	4.241	3.750
018	0.922	0.750	213	1.238	0.937	344	4.366	3.875
019	0.985	0.812	214	1.300	1.000	345	4.491	4.000
020	1.047	0.875	215	1.363	1.062	346	4.616	4.125
021	1.110	0.937	216	1.425	1.125	347	4.741	4.250
022	1.172	1.000	217	1.488	1.187	348	4.866	4.375
023	1.235	1.062	218	1.550	1.250		0.006	+0.00
024	1.297	1.125	219	1.613	1.312		-.000	-0.006
025	1.360	1.187	220	1.675	1.375	425	5.093	4.500
026	1.422	1.250	221	1.738	1.437	426	5.218	4.625
027	1.485	1.312	222	1.863	1.500	427	5.343	4.750
	0.003	+0.00	223	1.988	1.625	428	5.468	4.875
	-.000	-0.003	224	2.113	1.750	429	5.593	5.000
110	0.611	0.375	225	2.238	1.875	430	5.718	5.125
111	0.674	0.437	226	2.363	2.000	431	5.843	5.250
112	0.736	0.500	227	2.488	2.125	432	5.968	5.375
113	0.799	0.562	228	2.613	2.250	433	6.093	5.500
114	0.861	0.625	229	2.738	2.375	434	6.218	5.625
115	0.924	0.687	230	2.863	2.500	435	6.343	5.750
116	0.986	0.750	231	2.988	2.625	436	6.468	5.875
117	1.049	0.812	232	3.113	2.750	437	6.718	6.000
118	1.111	0.875	233	3.238	2.875	438	6.968	6.250
119	1.174	0.937	234	3.363	3.000	439	7.218	6.500
120	1.236	1.000	235	3.488	3.125	440	7.468	6.750
121	1.299	1.062	236	3.613	3.250	441	7.718	7.000
122	1.361	1.125	237	3.738	3.375	442	7.968	7.250
123	1.424	1.188	238	3.863	3.500	443	8.218	7.500
124	1.486	1.250	239	3.988	3.625	444	8.468	7.750
125	1.549	1.312	240	4.113	3.750	445	8.968	8.000
126	1.611	1.375	241	4.238	3.875	446	9.468	8.500
127	1.674	1.437	242	4.363	4.000	447	9.968	9.000
128	1.736	1.500	243	4.488	4.125	448	10.468	9.500
129	1.799	1.562	244	4.613	4.250	449	10.968	10.000
130	1.861	1.625	245	4.738	4.375	450	11.468	10.500
131	1.924	1.687	246	4.863	4.500	451	11.968	11.000
132	1.986	1.750	247	4.988	4.625	452	12.468	11.500
133	2.049	1.812		0.005	+0.00	453	12.968	12.000
134	2.112	1.875		-.000	-0.005	454	13.468	12.500
135	2.174	1.937	325	1.991	1.500	455	13.968	13.000
136	2.237	2.000	326	2.116	1.625	456	14.468	13.500
137	2.299	2.062	327	2.241	1.750	457	14.968	14.000
138	2.362	2.125	328	2.366	1.875	458	15.468	14.500
139	2.424	2.187	329	2.491	2.000	459	15.968	15.000

CODE IDENT. 07128

TF 481

ROD SEAL INSTALLATION
STANDARD ROD
SPECIAL GLAND
INDUSTRIAL SERVICE



Dash No.	G Groove Width +.005 -.000	R Groove Radius	E Diametral Clearance Max.
006-027	0.079	.005-.015	0.004
110-148	0.112	.005-.015	0.005
210-247	0.149	.010-.025	0.006
325-348	0.221	.020-.035	0.007
425-459	0.297	.020-.035	0.008

Notes:

- This part is supplied in long wearing Tetralon®. For other material callouts, refer to Technical Data section.
- Dash numbers correspond to AS568.
- O-ring supplied on request. Size is one Dash number higher than seal size. For example, TF-481-214 uses 215 O-ring.
- Rod diameter "B" per recommended industrial practice.
- Sidewall notches optional.
- This part also supplied with Minigrooves®; add "M" after basic part no. for Minigroove configuration.

Ordering Instructions:

Example: TF 481 M-214N
Basic P/N
For Minigroove only
Size Dash No.
For optional notches only

Pressure Seals Inc. 81 Commerce Way, South Windsor, CT 06074

Phone: (877)-PSI-SEAL Toll Free, In CT: (860) 282-9100, Fax: (860) 282-9001