



Pressure Seals, Inc.

Phone: (877)-PSI-SEAL Toll Free
Thousands of Seals, O-Rings, and U-Cups
World-Class Service since 1976!

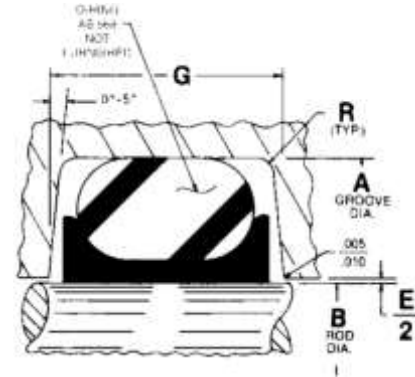


Dash No.	A Dia.	B Dia.	Dash No.	A Dia.	B Dia.	Dash No.	A Dia.	B Dia.
	+0.001	+0.000		+0.002	+0.000		+0.002	+0.000
	.000	.001		.000	.002		.000	.002
012	0.485	0.373	145	2.739	2.561	336	3.245	2.873
	+0.002	+0.000	146	2.801	2.623	337	3.369	2.997
	.000	.002	147	2.864	2.686	338	3.494	3.122
013	0.547	0.435	148	2.926	2.748	339	3.619	3.247
014	0.610	0.498	149	2.989	2.811	340	3.744	3.372
015	0.672	0.560	210	0.991	0.748	341	3.869	3.497
016	0.735	0.623	211	1.053	0.810	342	3.994	3.622
017	0.797	0.685	212	1.116	0.873	343	4.119	3.747
018	0.860	0.748	213	1.178	0.935	344	4.244	3.872
019	0.922	0.810	214	1.241	0.998	345	4.369	3.997
020	0.985	0.873	215	1.303	1.060	346	4.494	4.122
021	1.047	0.935	216	1.366	1.123	347	4.619	4.247
022	1.110	0.998	217	1.428	1.185	348	4.744	4.372
023	1.172	1.060	218	1.491	1.248	349	4.869	4.497
024	1.235	1.123	219	1.553	1.310		+0.003	+0.000
025	1.297	1.185	220	1.616	1.373		-0.000	-0.003
026	1.360	1.248	221	1.678	1.435	425	4.974	4.497
027	1.422	1.310	222	1.741	1.498	426	5.099	4.622
028	1.485	1.373	223	1.866	1.623	427	5.224	4.747
110	0.551	0.373	224	1.991	1.748	428	5.349	4.872
111	0.613	0.435	225	2.116	1.873	429	5.474	4.997
112	0.676	0.498	226	2.241	1.998	430	5.599	5.122
113	0.738	0.560	227	2.366	2.123	431	5.724	5.247
114	0.801	0.623	228	2.491	2.248	432	5.849	5.372
115	0.863	0.685	229	2.616	2.373	433	5.974	5.497
116	0.926	0.748	230	2.741	2.498	434	6.099	5.622
117	0.988	0.810	231	2.866	2.623	435	6.224	5.747
118	1.051	0.873	232	2.991	2.748	436	6.349	5.872
119	1.113	0.935	233	3.116	2.873	437	6.474	5.997
120	1.176	0.998	234	3.240	2.997	438	6.724	6.247
121	1.238	1.060	235	3.365	3.122	439	6.974	6.497
122	1.301	1.123	236	3.490	3.247	440	7.224	6.747
123	1.363	1.185	237	3.615	3.372	441	7.474	6.997
124	1.426	1.248	238	3.740	3.497	442	7.724	7.247
125	1.488	1.310	239	3.865	3.622	443	7.974	7.497
126	1.551	1.373	240	3.990	3.747	444	8.224	7.747
127	1.613	1.435	241	4.115	3.872	445	8.474	7.997
128	1.676	1.498	242	4.240	3.997	446	8.974	8.497
129	1.738	1.560	243	4.365	4.122		+0.004	+0.000
130	1.801	1.623	244	4.490	4.247		.000	-.003
131	1.863	1.685	245	4.615	4.372	447	9.474	8.997
132	1.926	1.748	246	4.740	4.497	448	9.974	9.497
133	1.988	1.810	247	4.865	4.622	449	10.474	9.997
134	2.051	1.873	325	1.870	1.498	450	10.974	10.497
135	2.114	1.936	326	1.995	1.623	451	11.474	10.997
136	2.176	1.998	327	2.120	1.748	452	11.974	11.497
137	2.239	2.061	328	2.245	1.873	453	12.474	11.997
138	2.301	2.123	329	2.370	1.998	454	12.974	12.497
139	2.364	2.186	330	2.495	2.123	455	13.474	12.997
140	2.426	2.248	331	2.620	2.248	456	13.974	13.497
141	2.489	2.311	332	2.745	2.373	457	14.474	13.997
142	2.551	2.373	333	2.870	2.498	458	14.974	14.497
143	2.614	2.436	334	2.995	2.623	459	15.474	14.997
144	2.676	2.498	335	3.120	2.748	460	15.974	15.497

CODE IDENT. 07128

TF 878

ROD SEAL INSTALLATION
FOR MIL-G-5514
(F REVISION)
NO BACK-UP GLAND
HEAVY DUTY SERVICE



Dash No.	G Groove Width +0.010 -0.000	R Groove Radius	E Diametral Clearance Max.
012	0.094	.005-.015	0.004
013-028	0.094	.005-.015	0.005
110-126	0.141	.005-.015	0.005
127-132	0.141	.005-.015	0.006
133-149	0.141	.005-.015	0.007
210-222	0.188	.010-.025	0.005
223-224	0.188	.010-.025	0.006
225-245	0.188	.010-.025	0.007
246-247	0.188	.010-.025	0.008
325-327	0.281	.020-.035	0.006
328-349	0.281	.020-.035	0.007
425-438	0.375	.020-.035	0.009
439-460	0.375	.020-.035	0.010

Notes:

- This part is supplied in long wearing Tetralon®. For other material callouts, refer to Technical Data section.
- Dash numbers correspond to AS568.
- O-ring supplied on request. Size is same as seal dash size.
- Suitable for use with MIL-P-83461 O-rings in MIL-H-83282 hydraulic fluid as well as with all standard hydraulic fluids and O-ring compounds.
- Sidewall notches optional.
- This part also supplied with Minigrooves®; add "M" after basic part no. for Minigroove configuration.

Ordering Instructions:

Example: TF 878 M-214N
Basic P/N
For Minigroove only
Size Dash No.
For optional notches only

Pressure Seals Inc. 81 Commerce Way, South Windsor, CT 06074

Phone: (877)-PSI-SEAL Toll Free, In CT: (860) 282-9100, Fax: (860) 282-9001