

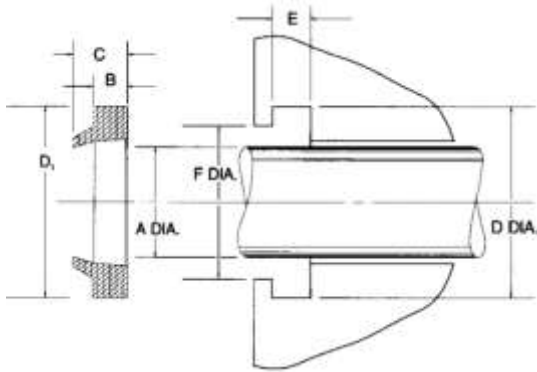


Pressure Seals, Inc.

Phone: (877)-PSI-SEAL Toll Free
Thousands of Seals, O-Rings, and U-Cups
World-Class Service since 1976!



U Type Universal Urethane Wipers



Universal series wipers (U, D or ST).

The standard materials for universal wipers are high durometer urethane or hytrel. They are also available in molythane, polymyte, fluoromyte, nitroxile, and viton.

Consult sales for price and availability.

Part Number	Wiper Dimensions (In.)				Groove Dimensions (In.)		
	Rod Diameter A	Outside Diameter D ₁	Base Height B	Max. Length C	D +.006 -.000	E +.004 -.000	F +.010 -.000
U-0250	0.250	1/2	1/8	0.210	0.497	0.124	0.410
U-0312	0.312	9/16	1/8	0.210	0.560	0.124	0.475
U-0375	0.375	5/8	1/8	0.210	0.622	0.124	0.535
U-0437	0.437	11/16	1/8	0.210	0.685	0.124	0.600
U-0500	0.500	3/4	1/8	0.210	0.747	0.124	0.660
U-0562	0.562	13/16	1/8	0.210	0.810	0.124	0.725
U-0625	0.625	7/8	1/8	0.210	0.872	0.124	0.785
U-0687	0.687	15/16	1/8	0.210	0.935	0.124	0.850
U-0750	0.750	1 1/8	3/16	0.305	1.122	0.187	0.995
U-0812	0.812	1 3/16	3/16	0.305	1.185	0.187	1.060
U-0875	0.875	1 1/4	3/16	0.305	1.247	0.187	1.120
U-0937	0.937	1 5/16	3/16	0.305	1.310	0.187	1.185
U-0984	0.984	1.359	3/16	0.305	1.357	0.187	1.185
U-1000	1.000	1 3/8	3/16	0.305	1.372	0.187	1.245
U-1062	1.062	1 7/16	3/16	0.305	1.435	0.187	1.310
U-1102	1.102	1.477	3/16	0.305	1.474	0.187	1.370
U-1125	1.125	1 1/2	3/16	0.305	1.497	0.187	1.370
U-1187	1.187	1 9/16	3/16	0.305	1.560	0.187	1.435
U-1250	1.250	1 5/8	3/16	0.305	1.622	0.187	1.495
U-1312	1.312	1 11/16	3/16	0.305	1.685	0.187	1.560
U-1375	1.375	1 3/4	3/16	0.305	1.747	0.187	1.620
U-1437	1.437	1 13/16	3/16	0.305	1.810	0.187	1.685
U-1500	1.500	1 7/8	3/16	0.305	1.872	0.187	1.745
U-1625	1.625	2	3/16	0.305	1.997	0.187	1.870
U-1750	1.750	2 1/8	3/16	0.305	2.122	0.187	1.995
U-1812	1.812	2 3/16	3/16	0.305	2.185	0.187	2.060

Pressure Seals Inc. 81 Commerce Way, South Windsor, CT 06074

Phone: (877)-PSI-SEAL Toll Free, In CT: (860) 282-9100, Fax: (860) 282-9001



Pressure Seals, Inc.

Phone: (877)-PSI-SEAL Toll Free
 Thousands of Seals, O-Rings, and U-Cups
 World-Class Service since 1976!



U Type Universal Urethane Wipers Continued

Part Number	Wiper Dimensions (In.)				Groove Dimensions (In.)		
	Rod Diameter	Outside Diameter	Base Height	Max. Length	D	E	F
	A	D ₁	B	C	+0.006 -0.000	+0.004 -0.000	+0.010 -0.000
U-1875	1.875	2 1/4	3/16	0.305	2.247	0.187	2.120
U-2000	2.000	2 1/2	1/4	0.395	2.497	0.249	2.327
U-2125	2.125	2 5/8	1/4	0.395	2.622	0.249	2.452
U-2250	2.250	2 3/4	1/4	0.395	2.747	0.249	2.577
U-2312	2.312	2 13/16	1/4	0.395	2.810	0.249	2.640
U-2375	2.375	2 7/8	1/4	0.395	2.872	0.249	2.702
U-2500	2.500	3	1/4	0.395	2.997	0.249	2.827
U-2562	2.562	3 1/16	1/4	0.395	3.060	0.249	2.890
U-2625	2.625	3 1/8	1/4	0.395	3.122	0.249	2.952
U-2750	2.750	3 1/4	1/4	0.395	3.247	0.249	3.077
U-2875	2.875	3 3/8	1/4	0.395	3.372	0.249	3.202
U-3000	3.000	3 1/2	1/4	0.395	3.497	0.249	3.327
U-3125	3.125	3 5/8	1/4	0.395	3.622	0.249	3.452
U-3250	3.250	3 3/4	1/4	0.395	3.747	0.249	3.577
U-3375	3.375	3 7/8	1/4	0.395	3.872	0.249	3.702
U-3500	3.500	4	1/4	0.395	3.997	0.249	3.827
U-3625	3.625	4 1/8	1/4	0.395	4.122	0.249	3.952
U-3750	3.750	4 1/4	1/4	0.395	4.247	0.249	4.077
U-3875	3.875	4 3/8	1/4	0.395	4.372	0.249	4.202
U-4000	4.000	4 1/2	1/4	0.395	4.497	0.249	4.327
U-4125	4.125	4 5/8	1/4	0.395	4.622	0.249	4.452
U-4250	4.250	4 3/4	1/4	0.395	4.747	0.249	4.577
U-4375	4.375	4 7/8	1/4	0.395	4.872	0.249	4.702
U-4500-250	4.500	5	1/4	0.395	4.947	0.249	4.827
U-4500	4.500	5 1/4	3/8	0.585	5.247	0.374	4.993
U-4625	4.625	5 3/8	3/8	0.585	5.372	0.374	5.118
U-4750	4.750	5 1/2	3/8	0.585	5.497	0.374	5.243
U-4875	4.875	5 5/8	3/8	0.585	5.622	0.374	5.368
U-5000-250	5.000	5 1/2	1/4	0.395	5.497	0.249	5.327
U-5000	5.000	5 3/4	3/8	0.585	5.747	0.374	5.493
U-5125	5.125	5 7/8	3/8	0.585	5.872	0.374	5.618
U-5250	5.250	6	3/8	0.585	5.997	0.374	5.743
U-5375	5.375	6 1/8	3/8	0.585	6.122	0.374	5.868
U-5500	5.500	6 1/4	3/8	0.585	6.247	0.374	5.993
U-5625	5.625	6 3/8	3/8	0.585	6.372	0.374	6.118
U-5750	5.750	6 1/2	3/8	0.585	6.497	0.374	6.243
U-5875	5.875	6 5/8	3/8	0.585	6.622	0.374	6.368
U-6000	6.000	6 3/4	3/8	0.585	6.747	0.374	6.493
U-6250	6.250	7	3/8	0.585	6.997	0.374	6.743
U-6500	6.500	7 1/4	3/8	0.585	7.247	0.374	6.993

Pressure Seals Inc. 81 Commerce Way, South Windsor, CT 06074

Phone: (877)-PSI-SEAL Toll Free, In CT: (860) 282-9100, Fax: (860) 282-9001



Pressure Seals, Inc.

Phone: (877)-PSI-SEAL Toll Free
 Thousands of Seals, O-Rings, and U-Cups
 World-Class Service since 1976!



U Type Universal Urethane Wipers Continued

Part Number	Wiper Dimensions (In.)				Groove Dimensions (In.)		
	Rod Diameter	Outside Diameter	Base Height	Max. Length	D	E	F
	A	D ₁	B	C	+0.006 -.000	+0.004 -.000	+0.010 -.000
U-6500-500	6.500	7 1/2	1/2	3/4	7.500	0.499	7.159
U-6625	6.625	7 3/8	3/8	0.585	7.372	0.374	7.118
U-6750	6.750	7 1/2	3/8	0.585	7.497	0.374	7.243
U-7000	7.000	7 3/4	3/8	0.585	7.747	0.374	7.493
U-7000-500	7.000	8	1/2	3/4	8.000	0.499	7.659
U-7250	7.250	8	3/8	0.585	7.997	0.374	7.743
U-7500	7.500	8 1/4	3/8	0.585	8.247	0.374	7.993
U-7750	7.750	8 1/2	3/8	0.585	8.497	0.374	8.243
U-8000	8.000	8 3/4	3/8	0.585	8.747	0.374	8.493
U-8250	8.250	9	3/8	0.585	8.997	0.374	8.743
U-8500	8.500	9 1/4	3/8	0.585	9.247	0.374	8.993
U-8750	8.750	9 1/2	3/8	0.585	9.497	0.374	9.243
U-8875	8.875	9 5/8	3/8	0.585	9.622	0.374	9.368
U-9000	9.000	9 3/4	3/8	0.585	9.747	0.374	9.493
U-9000-500	9.000	10	1/2	3/4	10.000	0.499	9.659
U-9250	9.250	10	3/8	0.585	9.997	0.374	9.743
U-9500	9.500	10 1/4	3/8	0.585	10.247	0.374	9.993
U-9750	9.750	10 1/2	3/8	0.585	10.497	0.374	10.243
U-10000	10.000	11	1/2	0.775	10.997	0.499	10.659
U-10250	10.250	11 1/4	1/2	0.775	11.247	0.499	10.909
U-10500	10.500	11 1/2	1/2	0.775	11.497	0.499	11.159
U-10625	10.625	11 5/8	1/2	0.775	11.622	0.499	11.284
U-10750	10.750	11 3/4	1/2	0.775	11.747	0.499	11.409
U-11000	11.000	12	1/2	0.775	11.997	0.499	11.659
U-11250	11.250	12 1/4	1/2	0.775	12.247	0.499	11.909
U-11500	11.500	12 1/2	1/2	0.775	12.497	0.499	12.159
U-11750	11.750	12 3/4	1/2	0.775	12.747	0.499	12.409
U-12000	12.000	13	1/2	0.775	12.997	0.499	12.659
U-12500	12.500	13 1/2	1/2	0.775	13.497	0.499	13.159
U-13000	13.000	14	1/2	0.775	13.997	0.499	13.659
U-13500	13.500	14 1/2	1/2	0.775	14.497	0.499	14.159
U-13750	13.750	14 3/4	1/2	0.775	14.747	0.499	14.409
U-14750	14.750	15 3/4	1/2	0.775	15.747	0.499	15.409
U-15000	15.000	16	1/2	0.775	15.997	0.499	15.659
U-16500	16.500	17 1/2	1/2	0.775	17.447	0.499	17.159
U-17375	17.375	18 3/8	1/2	0.775	13.322	0.499	18.034
U-18000	18.000	19	1/2	0.775	18.997	0.499	18.659
U-18500	18.500	19 1/2	1/2	0.775	19.447	0.499	19.159
U-20000	20.000	21	1/2	0.775	20.997	0.499	20.659
U-30000	30.000	31	1/2	0.775	30.997	0.499	30.659

Pressure Seals Inc. 81 Commerce Way, South Windsor, CT 06074

Phone: (877)-PSI-SEAL Toll Free, In CT: (860) 282-9100, Fax: (860) 282-9001