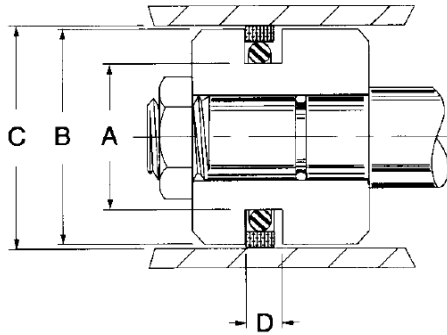


Pressure Seals, Inc.

Phone: (877)-PSI-SEAL Toll Free
Thousands of Seals, O-Rings, and U-Cups
World-Class Service since 1976!

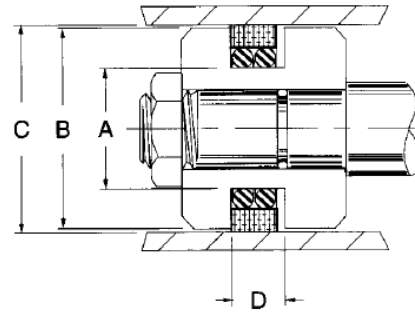


AS700 TFE Piston Seals



AS700 style rectangular piston seal assemblies are manufactured from glass filled TFE and include a 70 durometer nitrile o-ring energizer. This medium duty seal is found in many forklift and agricultural applications and can be considered in applications requiring a compact seal and ease of installation.

AS880 TFE Piston Seals



AS880 style rectangular piston seal assemblies are basically double wide AS800 SEALS. They are manufactured from glass filled TFE and include two 70 durometer nitrile o-ring energizers. They are used in some mobile hydraulic applications including drilling equipment and boom trucks.

Part Number	Bore Dia. C +0.002 -0.000	Groove Dia. A ±.002	Groove Width D ±.002	Seal Width D	Seal Wall	Expander Cross Sect	Price
AS700E-16	1.000	0.787	0.094	0.088	0.055	0.070	
AS700E-18	1.125	0.912	0.094	0.088	0.055	0.070	
AS700E-20	1.250	1.037	0.094	0.088	0.055	0.070	
AS700E-22	1.375	1.162	0.094	0.088	0.055	0.070	
AS700E-24	1.500	1.287	0.094	0.088	0.055	0.070	
AS700E-26	1.625	1.412	0.094	0.088	0.055	0.070	
AS700E-28	1.750	1.473	0.126	0.120	0.055	0.103	
AS700E-30	1.875	1.598	0.126	0.120	0.055	0.103	
AS700E-32	2.000	1.723	0.126	0.120	0.055	0.103	
AS700E-36	2.250	1.973	0.126	0.120	0.055	0.103	
AS700E-40	2.500	2.223	0.126	0.120	0.055	0.103	
AS700E-44	2.750	2.348	0.157	0.150	0.085	0.139	
AS700E-48	3.000	2.603	0.157	0.150	0.085	0.139	
AS700E-52	3.250	2.853	0.157	0.150	0.085	0.139	
AS700E-56	3.500	3.103	0.157	0.150	0.085	0.139	
AS700E-60	3.750	3.353	0.157	0.150	0.085	0.139	
AS700E-64	4.000	3.603	0.157	0.150	0.085	0.139	
AS700E-68	4.250	3.853	0.157	0.150	0.085	0.139	
AS700E-72	4.500	4.103	0.157	0.150	0.085	0.139	
AS700E-76	4.750	4.353	0.157	0.150	0.085	0.139	
AS700E-80	5.000	4.603	0.157	0.150	0.085	0.139	
AS700E-84	5.250	4.853	0.157	0.150	0.085	0.139	
AS700E-88	5.500	5.103	0.157	0.150	0.085	0.139	
AS700E-92	5.750	5.353	0.157	0.150	0.085	0.139	
AS700E-96	6.000	5.305	0.294	0.287	0.120	0.210	

Part Number	Bore Dia. C. ± .001	Piston Dia. B ± .001	Groove Dia. A. ±.002	Groove Width D +005 -.000	Seal Width	Seal Wall	Expander Cross Section	Price
AS880E-64	4.000	3.996	3.482	0.312	0.295	0.143	0.139	
AS880E-72	4.500	4.496	3.982	0.312	0.295	0.143	0.139	
AS880E-80	5.000	4.996	4.482	0.312	0.295	0.143	0.139	
AS880E-88	5.500	5.496	4.982	0.312	0.295	0.143	0.139	
AS880E-96	6.000	5.996	5.482	0.312	0.295	0.143	0.139	
AS880E-112	7.000	6.996	6.482	0.312	0.295	0.143	0.139	
AS880E-132	8.250	8.246	7.732	0.312	0.295	0.143	0.139	
AS880E-160	10.000	9.996	9.482	0.312	0.295	0.143	0.139	
AS880E-176	11.000	10.996	10.482	0.312	0.295	0.143	0.139	
AS880E-192	12.000	11.996	11.482	0.312	0.295	0.143	0.139	
AS880E-208	13.000	12.996	12.482	0.312	0.295	0.143	0.139	

Pressure Seals Inc. 81 Commerce Way, South Windsor, CT 06074

Phone: (877)-PSI-SEAL Toll Free, In CT: (860) 282-9100, Fax: (860) 282-9001